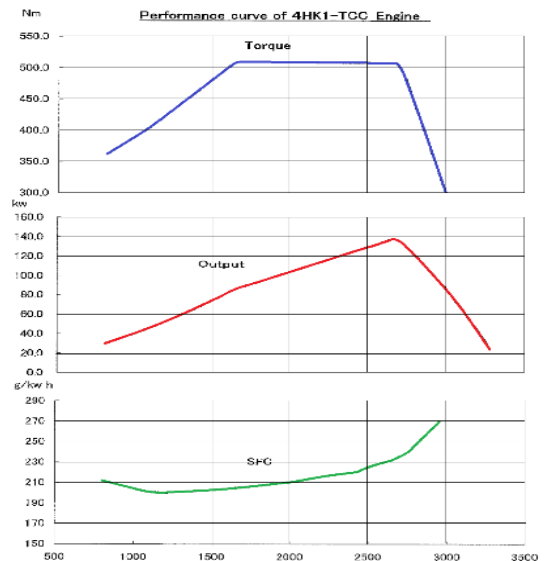




Model	NQR500 Tipper
GCM (kg)	12,200
GVM (kg)	8,700
Max Power (kW)	139
Wheelbase (mm)	3365
Licence**	Class 2

## ENGINE

Engine Model:	4HK1-TCC
Type:	4 cylinder 16 valve, SOHC
Displacement:	5,193 cc
Compression Ratio:	17.5:1
Max Power (DIN Net):	139kW (189 HP) @ 2,600 RPM
Max Torque (DIN Net):	510 Nm (376 lb.ft) @ 1,600 RPM
Emission Control System:	Euro V with cooled EGR and Diesel Particulate Diffuser
Fuel System:	Electronically controlled direct injection, high pressure common rail 150 litre fuel tank with lockable fuel cap Water-in-fuel sensor standard
Air Intake System:	Electronically controlled variable nozzle turbo charger with air-to-air intercooler, vertical air intake behind cab



## PERFORMANCE

- Maximum Towed Mass (braked): 3,500kgs - 1<sup>st</sup> Gear Gradeability @GVM: M 36%
- Maximum Towed Mass (unbraked): 2,000kgs - Est Engine RPM @90km/h : M 1930/2025 AMT

## TRANSMISSION

<b>Manual:</b>	MZZ6F 6 speed, (Standard) Synchronesh on 1st to 6 <sup>th</sup> Auto adjusted 325mm single plate clutch, vacuum assist
<b>AMT:</b>	Automated Manual with full automatic and sequential manual shift modes. Full auto hydraulically controlled wet clutch and fluid coupling with lock-up and air-to-air cooling,
<b>Ratios (:1)</b>	1st 6.369, 2nd 3.767 3rd 1.996, 4th 1.333, 5th 1.000, 6 <sup>th</sup> 0.782, Rev 6.369
<b>PTO:</b>	Provision on LHS of transmission case, countershaft driven

## AXLES

<b>Front Axle:</b>	Isuzu F031
<b>Type:</b>	Elliot reverses I-beam
<b>Capacity:</b>	3,100kgs
<b>Rear Axle:</b>	Isuzu RO66
<b>Type:</b>	Full floating banjo type housing
<b>Capacity:</b>	6,600kgs
<b>Final Drive:</b>	320mm diameter ring gear
<b>Ratio (:1):</b>	Man: 4.100 AMT: 4.300

## CHASSIS

### Front Suspension

- Single stage alloy multi-leaf
- Double acting shock absorber
- Stabiliser bar

### Steering

- Power assisted rack and pinion
- Turns lock-to-lock 5.4
- Gear Ratio 20.9:1

### Chassis Frame

- Cold riveted ladder frame
- Rail dimensions (mm) 216 x70 x 4
- SAPH440 weldable steel

### Rear Suspension

- MLS main, 1300x70x11 – 4, 1300x70x12 – 2
- Constant 205 N/mm
- TLS helper 850 x 70 x 9– 7
- Combined constant 553 N/mm
- Double acting shock absorbers with stabiliser bar

### Brakes

- Auto adjusting front discs, rear drums with hydraulic dual circuit control, hydraulic pressure assisted with electronic Brake Distribution (EBD)
- ABS and ASR (traction control)
- Hill Start Aid (except AMT)
- Front discs 363 x 42mm
- Rear drum 370mm x 150mm
- 203mm diameter drum park brake on rear of transmission

### Wheels and Tyres

- 19.5 x 6.0 x 127mm 6-stud steel rims
- 225/70R19.5 125/123M tubeless tyres
- White painted wheel rims
- Frame mounted spare wheel with tyre

### Electrical

- 24 volt negative earth system
- 50 amp alternator
- Batteries - 2 x 80D26L 80Ah,

## CAB AND INTERIOR

### CAB EXTERIOR

- All steel construction, high tensile steel on cab under-frame and side impact beam reinforcement
- Cab is fully compliant with ECE-R29 crash tests
- Manual cab tilt to 45° with torsion bar assistance
- Liquid filled front and rear cab mounts
- Heavy duty non-slip cab entry steps
- 70° opening doors
- Cab mounted main mirrors on front of cab
- Halogen multi-reflector headlamps with integral front turn signals
- Additional door mounted turn signals
- Polycarbonate front bumper with steel frame
- Combined brake/turn/reverse/marker lamps
- Registration plate lamps
- Reverse alarm buzzer standard

### CAB INTERIOR

- Contoured adjustable driver's bucket seat with mechanical suspension rated to 130 kg
- Passenger bench seat with capacity for two adults SRS including air bag for driver and passenger

### CAB INTERIOR (continued)

- Lined interior, padded roof lining and vinyl floor covers
- RH and LH overhead storage shelf
- Height/reach adjustable steering column, soft-feel urethane steering wheel
- Central locking with keyless entry and immobiliser
- Integrated air conditioning with 4 speed fan
- Multi Media radio/CD/DVD/MP3/WMA Player with 6.2" Touch Screen, Bluetooth, voice dialling, text to speech, SD and USB inputs, on-board recordable memory – optional external cameras with up to 4-way screen, GPS navigation and many other options
- 5 DIN sized compartments for extra communications

### Tipper Body

- All-steel drop side body
- Auto release 2-way tailgate and body lock hook
- 3.6 m<sup>3</sup> volume capacity
- Material: Deck: 4.5mm, Sides, tail plate & front: 3.2
- 20 second body raise and lower
- Shovel rack, rope rails, non-slip side steps

### INSTRUMENTS and CONTROLS

- Two-speed wipers with intermittent wipe mode
- Key operated engine start/stop, steering lock
- HSA slow/fast engagement control with on/off switch (except AMT)
- ASR on/off switch
- DPD manual regenerate switch
- AMT: slow/fast clutch engagement control, 1st gear selection, economy mode
- LH combination stalk: Windscreen wipers, washers and exhaust brake
- RH combination stalk: Indicators, light switch and headlamp dip switch, cruise control (AMT only)
- Warning lamps: Check engine, oil pressure, ABS, SRS, alternator charge, service brake, park brake on, seat belt unbuckled
- Indicator lamps – HAS (except AMT), warm up system, high beam, DPD status, 1st gear start, turn signals
- AMT only: Econo mode, 1st gear start, gear selection display

## WEIGHTS (kgs)

Model Codes	MODELS	RATINGS *		LOADING LIMITS (at ground)*		CHASSIS CAB TARE MASS **		
		GVM	GCM	FRONT	REAR	FRONT	REAR	TOTAL
NQ1413	NQR500M Tipper	8700	12200	3100	6200	2080	1930	4010
NQ1613	NQR500M AMT Tipper	8700	12200	3100	6200	2080	1930	4010

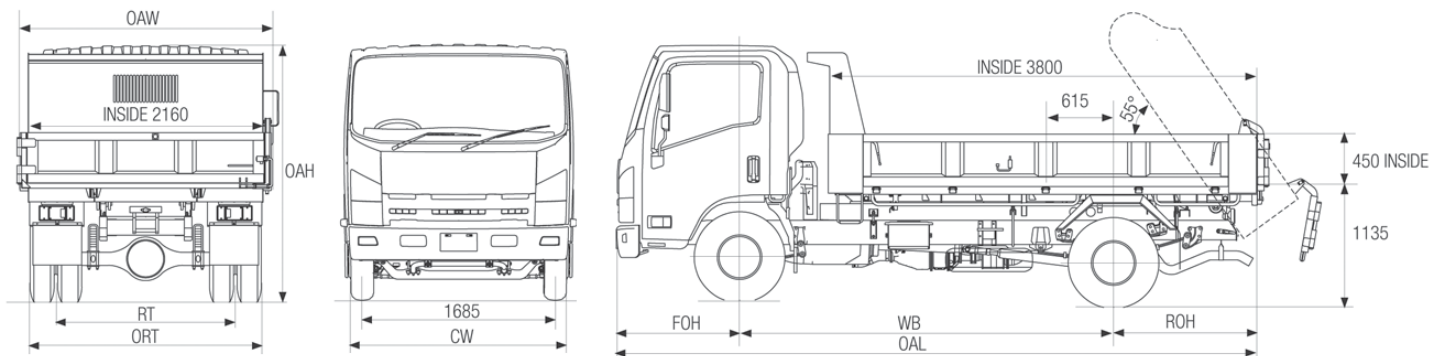
\* Vehicle ratings and front and rear mass limits are subject to regulatory requirements – Consult your dealer to select a specific vehicle to suit your requirements

\*\* Chassis cab as supplied from the factory including 10 litres of fu

## DIMENSIONS (mm)

Models	WB	OAL	CH *	CW	OAH	OAW	FOH	ROH	EA	CE	RT	ORT	Kerb to Kerb (m)
NQR500M Tipper	3365	5870	2280	1995	2280	2360	1110	1285	2680	4302	1670	2150	12.4

\*Unladen condition



## WARRANTY

**Full vehicle warranty:** 36 months or 100,000 kilometres whichever occurs first

All warranty is subject to terms and conditions as detailed in the Owner's Manual Service and Warranty Supplement

A policy of continuous improvement means that these specifications are subject to change without notice. Contact your Isuzu dealer or visit our website at [Isuzu.co.nz](http://Isuzu.co.nz) to confirm specifications. Images of vehicles are representative only and may differ slightly from the actual vehicle

\*\* Always refer to NZTA to confirm & for licensing changes