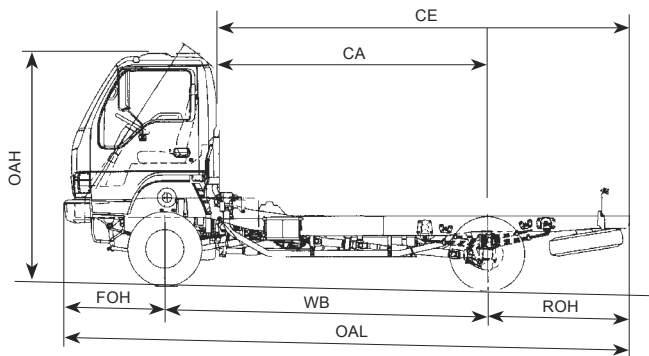
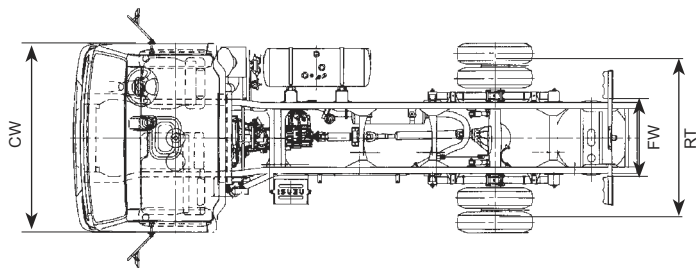
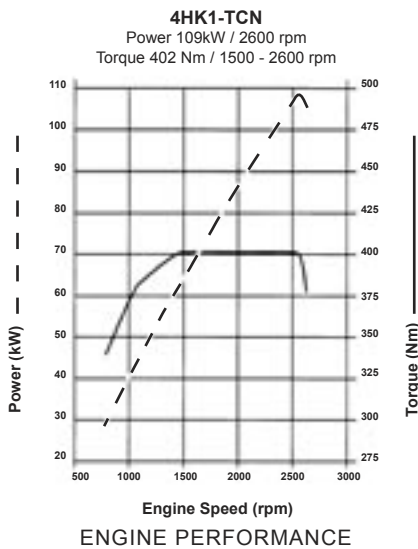




Sample photo only.
Actual vehicle may slightly differ from that shown.



MAIN SPECIFICATIONS

Model	NPS400
Code	NP46
Configuration	4 x 4
GVM	7,000kg
GCM	10,500kg
Towed Mass Unbraked	750kg
Gradeability at GVM	38.34%
Estimated geared Speed@RPM	100km/h at 2520
Turning circle kerb to kerb	14.0m

DRIVELINE SPECIFICATIONS

Engine Model	4HK1-TCN (Euro 3)
Type	Turbocharged 4 cylinder 16V direct injection diesel
Displacement	5193cc
Compression ratio	18.5 :1
Power	109kw (148PS) @ 2,600rpm
Torque	402Nm (296 lb.ft) @ 1500-2600rpm
Transmission Model	MYY5T
Forward Gears	5 x 2

KERB MASS

Front	1825kg
Rear	830kg
Total	2655kg

*Estimate with coolant, oils, spare, tools & 10L of fuel

DIMENSIONS (mm)

WB - Wheelbase	3400
OAL - Overall length	5955
CW - Cab width	1995
OAH - Overall height	2460
CA - Cab to rear axle	2875
CE - Cab to rear of frame	4370
FOH - Front overhang	1060
ROH - Rear overhang	1495
FT - Front track	1680
RT - Rear track	1525
FW - Frame width	750
Chassis Height at Rear Axle	845
Back of Cab Clearance	155

UPGRADE OPTIONS

Air Conditioning

NPS400 4 x 4

Driveline Specifications

ENGINE (ISUZU 4HK1-TCN)

Type: 4 cylinder 16 Valve SOHC direct injection diesel. Turbocharged and air to air intercooled.
Adjustable roller type rocker arms.
Displacement: 5,193 CC
Compression Ratio: 18.5:1
Bore x Stroke: 115 x 125 mm
Max power (DIN NET): 109 kW @ 2,600 RPM
Max torque (DIN NET): 402 Nm @ 1,500-2,600 RPM
Emissions Standard: ADR 80/00 (Euro III)

LUBRICATION

- Plate type oil cooler. Combined full flow main and bypass oil filter.

COOLING SYSTEM

- 6 blade, 440 mm cooling fan with thermostatically controlled viscous clutch.
- Dual drive belts and thermostats.

AIR INTAKE SYSTEM

- Vertical air intake mounted on back of cab.
- 220 X 320 mm air cleaner element.
- 500 X 370 mm air to air intercooler.

FUEL SYSTEM

- Denso common rail fuel injection. Separate fuel filter and water separator.
- 125 L steel tank

CLUTCH

- Auto adjusting hydraulic control.
- Single plate 325 mm diameter.
- Total lining area: 966 cm²

TRANSMISSION ISUZU MYY-2T

- 5 Speed manual.
- Synchronesh on all forward gears
- PTO provision on LHS of transmission case
PTO drive from counter gear.
- Gear ratios (:1)

1st	2nd	3rd	4th	5th	Rev
5.315	3.053	1.655	1.000	0.721	5.068

TRANSFER GEARBOX

- High ratio: 1.00:1, Low ratio: 1.842:1
- Part time 4WD

FRONT AXLE:

- Full floating Banjo type. Birfield outer joints and manual lock front hubs. 2,600 kg capacity.
- Drive ratio: 5.125:1

REAR AXLE:

- Full floating Banjo type.
- Four pinion limited slip differential pinions. 5,000 kg capacity.
- Drive ratio: 5.125:1

AXLE LOAD SUMMARY

	Front	Rear
Axle Capacity (kg):	2,800	5,000
Spring Capacity (kg):	3,010	4,510
Tyre Capacity (kg):	2,900	5,600
Limit (kg):	2,800	4,510

Note: Vehicle loading limit is determined by the combination of axle loading limit, GVM and GCM limit, and government regulatory requirements. Consult your Isuzu dealer to select the correct vehicle for your specific application.

Warranty

Vehicle: 36 months/100,000km*
*Which ever comes first. Subject to the terms and conditions detailed in the warranty book.

Chassis Specifications

FRONT SUSPENSION

- Single stage alloy steel multi-leaf springs.
- Nominal size 1,300 x 70mm
- Total spring capacity (at ground): 3,010 kg.
- Double acting, hydraulic shock absorbers. Stabiliser bar.

REAR SUSPENSION

- Two stage alloy steel multi-leaf springs.
- Nominal size: 1,350 x 70 mm
- Total spring capacity (at ground): 4,510 kg
- Double acting, hydraulic shock absorbers
Stabiliser bar.

STEERING

- Power assisted recirculating ball steering.
- Gear ratio: 20.9:1
- Turns lock to lock: 3.7

BRAKES

- Front and rear drum brakes, with dual circuit hydraulic control, vacuum assistance and load sensing proportioning valve.
- Front drum diameter (mm): 320
- Rear drum diameter (mm): 320
- Swept area: 3,519 cm²
- 190 mm diameter drum park brake mounted on rear of transmission.
- Vacuum controlled exhaust brake.

CHASSIS FRAME

- Cold riveted ladder frame. JIS-SAPH440 weldable steel.
- Frame dimensions
Side rail (mm): 203 x 65 X 6.0
Rear frame width (mm): 750

WHEELS & TYRES

- 17.5 x 6.00 Six stud wheels.
- 8.5R 17.5TL 121/120L Tubeless.
- Maximum tyre rating: 1,450 kg per tyre (single tyres)
1,400 kg per tyre (dual tyres).
- 1 frame mounted spare wheel and tyre assembly

ELECTRICAL SYSTEM

- 24 Volt electrical system.
- 24 Volt, 60 Amp alternator.
- 24 Volt, 4.5 kW starter motor.
- 2 x 80D26R (582CCA) batteries connected in series.

Cabin Specifications

CAB EXTERIOR

- All steel cab with side door impact door protection beams. Outer body panels galvanised and treated with corrosion resistant primer.
- Cab built to comply with ECE-R29 crash safety tests
- Manual cab tilt to 45°
- Access to fluid checkpoints without tilting cab.
- Four point tuned rubber cab mounting.
- Body coloured steel front bumper.
- Heavy duty non slip entry steps.
- 90° opening internally reinforced doors.
- Laminated windscreen.
- Two speed windscreen wipers, with intermittent wipe mode.
- Single piece halogen multi reflector headlamps incorporating turn signals.
- Combination brake, turn, reverse and marker lamps, registration plate illumination lamps.
Extended wiring harness. Reverse alarm.
- Roof-mounted clearance lamps.

CAB INTERIOR

- Wide contoured driver's bucket seat, lumbar support, reclining back, fore aft adjustment. Two person passenger bench seat, with folding seat back. Seat tilts for access to engine.
Durable, fire resistant cloth seat facing.
- 3-point, lap sash seatbelts with emergency locking belt retractors in all outboard seating positions.
- Door and "A" pillar entry assist grips.
- Full interior trim, padded roof lining, and vinyl floor mats. Windscreen header storage shelf.
- Tilt/Telescopic adjustable steering column, soft feel urethane steering wheel.
- Electric windows.
- Central locking with remote keyless entry
- Twin cup holders. Cigarette lighter.
- Centre console box with two storage trays. Fold down storage tray behind centre seat backrest.
- Standard heater/demister with 4 speed fan and outlets for windscreen, side windows, face and floor.
Air conditioning optional.
- Interior lamp with On/Door/Off switch activated by either door.
- Two speaker radio/CD player
- DIN sized compartment below radio for storage or for CB radio installation.
- Fore-aft adjustable roof vent.

DRIVER CONTROLS

- Key operated engine start/stop and steering lock. Engine idle speed control.
- Left side combination stalk: Windscreen wipers, washers and exhaust brake.
- Right side combination stalk: Turn signals and headlamps.
- Separate stalk for 4WD High/Low selection.

INSTRUMENTATION

- **Gauges:** Electronically driven speedometer and tachometer. Digital odometer with integrated dual tripmeter. Engine coolant temperature and fuel level gauges.
- **Warning lamps:** low battery charge, brake failure, low fuel level, glow plug/engine malfunction, low oil pressure, water separator.
- **Indicator lamps:** Turn signals, parking brake, high beam, exhaust brake engaged, 4WD engaged.



Sample photo only.
Actual vehicle may slightly differ from that shown.

A policy of continual improvement means that the specifications are subject to change without notice. Contact your Isuzu Dealer to confirm current specification.

CVO278 NOV05

N SERIES
www.isuzu.co.nz

ISUZU
TRUCKS YOU CAN RELY ON