

GVM - 7500kg  
 GCM - 9200kg  
 WHEELBASE - 3815mm

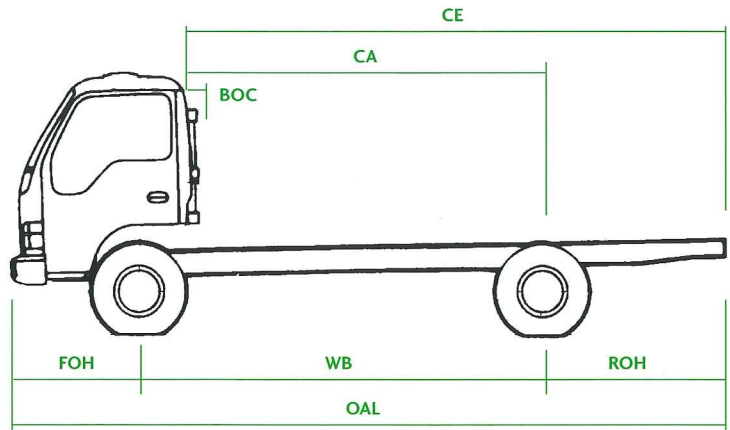
### ISUZU 4HG1-T ENGINE PERFORMANCE

- Type: 4 Cylinder, in line, OHV, direct injection, four stroke, turbo charged, intercooled diesel
- Bore x Stroke: 115 x 110 mm
- Displacement: 4,570 cc
- Compression Ratio: 19.0:1
- Power Output : 89 kW @ 3,000 rpm (120 hp)
- Torque : 324 Nm @ 1,800 rpm

### DIMENSIONS AND WEIGHTS

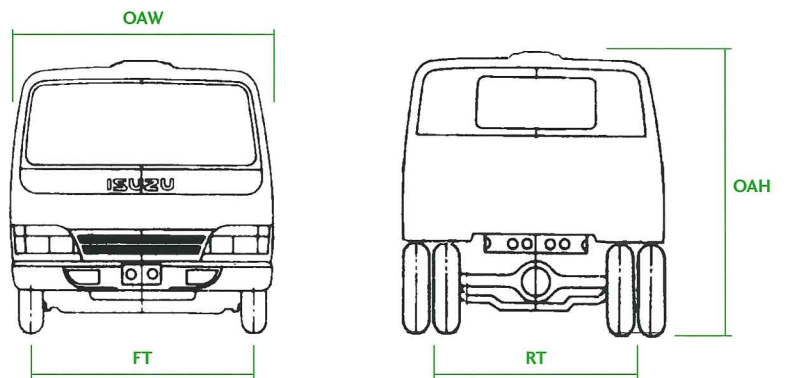
- Estimated Kerb Mass (kg):
 

Front	1,460
Rear	745
Total	2,205
- Frame Width: 750mm
- Turning Circle (m) (kerb to kerb): 15.2
- Ground Clearance (min): 225mm



### TRANSMISSION

- Isuzu MXA5R - 5 speed overdrive with synchromesh on all gears.



Wheelbase (WB)	3,815mm	Front overhang (FOH)	1,085mm
Cab to rear axle (CA)	3,200mm	Rear overhang (ROH)	1,710mm
Overall width (OAW)	2,125mm	Cab to rear of frame (CE)	4,910mm
Overall length (OAL)	6,610mm	Overall height (OAH)	2,220mm
Front Track (FT)	1,680mm	Back of cab/clearance (BOC)	95mm
Rear Track (RT)	1,525mm		

# NPR 450

## TRUCK 4x2

# ISUZU

RELIABILITY IS EVERYTHING

### ENGINE - ISUZU 4HG1-T

#### Lubrication:

- Pressure feed lubrication with full flow/partial flow paper element filters
- Oil capacity: 11.2 litres

#### Cooling System:

- Water cooled system thermostatically controlled with pressure vented radiator
- V-Belt driven water pump with 400 mm diameter, 8 bladed, with temperature modulated viscous hub, clutch controlled fan
- Coolant capacity: 14 litres

### FUEL SYSTEM

- 'Zexel' in-line injection pump with 'Bosch' 4 hole injectors
- Mechanical governor
- Mechanical fuel pump
- Paper element air cleaner with raised vertical air stack behind cab
- Fuel tank capacity: 100 litres

### CLUTCH

- Hydraulic control, dry, single plate, with diaphragm spring, asbestos free clutch plate 300 mm diameter
- Lining area: 847 sq cm (both sides)
- Auto adjusting clutch cylinder

### TRANSMISSION - ISUZU MXA5R

- 5 speed overdrive, synchromesh with floor mounted short-throw gear shift & remote linkage to gearbox

Gear ratios: 1	
1st	4.987
2nd	2.870
3rd	1.594
4th	1.000
5th	0.728
Reverse	4.774

- Reverse warning buzzer
- Power take-off provision on left hand side
- Maximum geared speed on standard tyres: 100 km/hour
- Calculated maximum rolling gradeability at manufacturer's GVM = 27.48%, GCM = 22.18%

### EXHAUST

- Horizontal exhaust and muffler
- Exhaust brake

### REAR AXLE - CAPACITY 5,000 KG

- Isuzu heavy duty fully floating banjo type with hypoid single speed reduction
- Ratio: 5.571 : 1
- Hypoid type ring gear 292 mm diameter
- Oil capacity: 3.0 litres

### REAR SUSPENSION

- Semi-elliptical, alloy steel, tapered, multi-leaf springs
- Hydraulic, double acting, telescopic, shock absorbers

### FRONT AXLE - CAPACITY 3,100 KG

- Reverse Elliot "I" beam type

### FRONT SUSPENSION

- Semi-elliptical, alloy steel, tapered, multi-leaf springs
- Hydraulic, double acting, telescopic, shock absorbers

### STEERING

- Recirculating ball steering with integral power assistance
- Gear ratio: 20.9 : 1
- Turns lock to lock: 5.0
- Steering wheel diameter: 410 mm
- Tilt/telescopic steering column adjustable for height and angle

### BRAKES

- Dual circuit, vacuum assisted hydraulic brake system
- Front - two leading shoes
- Rear - dual two leading shoes
- Drum diameter front and rear: 320mm
- Total lining area: 1,840 sq cm
- Total swept area: 6,032 sq cm
- Transmission mounted internal expanding park brake
- Auxiliary exhaust brake

### CHASSIS FRAME

- Rolled steel ladder type channel section with cold riveted crossmembers
- Sidemember dimensions: 173 x 65 x 6 mm
- Width across frame: 750mm

### WHEELS AND TYRES

- One piece rim, 6.00 x 17.5 with 127 mm offset, 6 stud, 20 mm bolt size
- Tyres: 215/75 R17.5 - radial tubeless, single front, dual rear
- Spare tyre located in winch carrier at end of frame
- Number of tyres - including spare: 7

### ELECTRICAL SYSTEM

- 24 volt negative earth system with fuse protection for all major circuits
- Waterproof connectors used in all exposed areas
- Battery: 2 x 12 volt, 60 amp/hour mounted on chassis end member with protection cover
- Alternator: 24 volt, 60 amp with voltage regulator

### CAB EXTERIOR

- Forward control, monocoque construction, high roof, cab over engine with welded strengthening ribs
- Cab tiltable to 45° with torsion bar assistance
- Laminated curved and tinted windshield, toughened side and rear glass
- Triple wash jets - each wiper arm
- Large exterior "Aero" type mirrors left and right hand sides, with underview mirror on passenger side
- Front mud flaps
- Cab finished in "Arc White" enamel paint

### CAB INTERIOR

- Deluxe trim with sound insulation
- Vinyl floor mat
- Adjustable highback reclining driver's seat
- Double passenger seat with hinged cushion for interior engine access
- Centre seat fold down for built-in tray with clip board
- Fresh air heater/demister with booster fan
- Roof header tray
- Door pockets
- Sun visors
- Rear view mirror
- Dome lamp
- Glovebox
- Ashtray
- Interior rear view mirror

- AM/FM radio cassette with clock
- Floor mounted gear shift lever
- Passenger car style park brake control
- Access to fluid checks without tilting cab
- Seat belts
- Central locking
- Cigarette lighter
- Interior light

### INSTRUMENTATION

- Speedometer with digital odometer
- Tachometer
- Gauges for: Fuel level and coolant temperature

### INDICATOR LAMPS

- Turn signals
- High beam
- Reversing lamp and beeper
- Parking brake on
- Exhaust brake

### WARNING LAMPS

- Battery charge
- Exhaust brake
- Low fuel level
- Oil pressure
- Low brake fluid

### SWITCHES

- Combination stalk switch on LH side for intermittent windshield wipers and washer, exhaust brake
- Combination stalk on RH side for headlamps, dip/highbeam, turn signal and fog lamps
- Hazard flasher switch on dash
- Key operation stop and start

### LAMPS

- 4 halogen bulb headlamps
- Front and rear combination park/flasher
- Rear combination tail, stop and flasher
- Reverse lamp

### TOOLS

- Hand tools and 4 tonne jack

### WARRANTY

Vehicle: 36 months/100,000km (whichever comes first)

Corrosion (Perforation): 36 months