

GVM: 7500 kg  
 GCM: 9200 kg  
 WHEELBASE: 3815 mm

# NPR 450 TRUCK 4x2

ISUZU

## ISUZU 4BD2-TC ENGINE PERFORMANCE

- Type: 4 Cylinder, in line, OHV, direct injection, four stroke, turbo charged diesel
- Bore x stroke: 102 x 118 mm
- Displacement: 3,856 cc
- Compression Ratio: 17.0 : 1
- Power output (DIN): 89 kW @ 2,800 rpm  
120 hp
- Torque (DIN): 328 Nm @ 1,900 rpm  
241 lb/ft

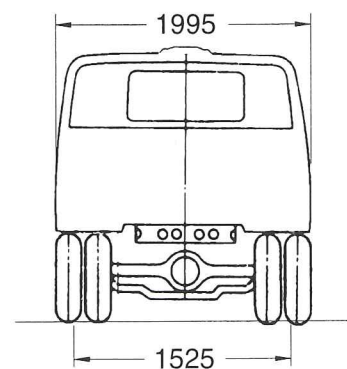
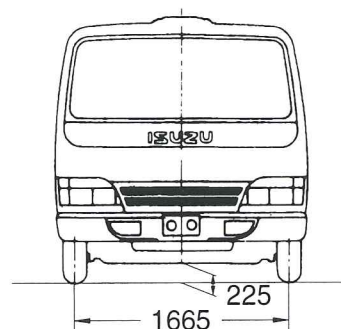
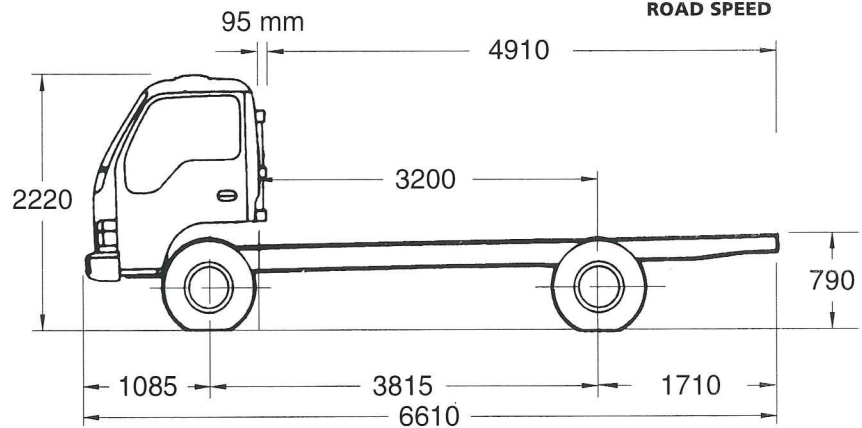
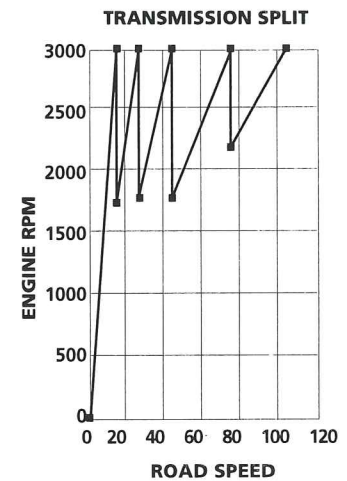
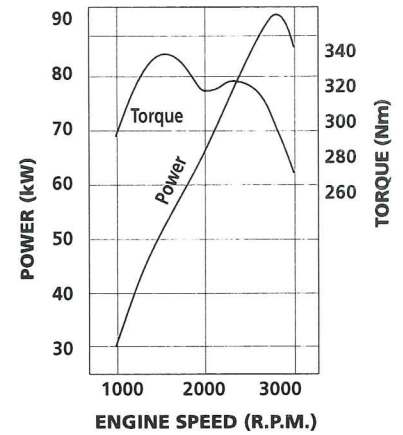
## DIMENSIONS AND WEIGHTS

- Estimated kerb mass (kg):  
Front 1460  
Rear 745  
Total 2205
- Frame width : 750 mm
- Turning circle (m) (kerb to kerb): 15.2
- Ground clearance (min): 225 mm
- Recommended deck length: 4900 mm  
(This does not give ideal water level load)

## TRANSMISSION

- Isuzu MSA5S - 5 speed overdrive with synchromesh on all gears.

Isuzu New Zealand reserves the right to change prices and specifications at any time without notice.



# NPR 450 TRUCK 4x2

## ENGINE - ISUZU 4BD2-TC

### Lubrication:

- Pressure feed lubrication with full flow paper element and partial flow sub filter
- Sump capacity: 9.0 litres

### Cooling System:

- Water cooled system thermostatically controlled with pressure vented heavy duty radiator
- V-Belt driven water pump with 400 mm diameter, 8 bladed, viscous hub, clutch controlled fan
- Coolant capacity: 14 litres

## FUEL SYSTEM

- 'Zexel' in-line fuel injection pump with 'Bosch' 4 hole injectors
- Mechanical fuel pump
- Paper element air cleaner with raised vertical air intake
- Fuel tank capacity: 100 litres

## CLUTCH

- Hydraulic control, dry, single plate, with diaphragm spring, asbestos free clutch plate 300 mm diameter
- Lining area: 847 cm<sup>2</sup> (both sides)
- Auto adjusting clutch cylinder

## TRANSMISSION - ISUZU MSA5S

- 5 speed overdrive, synchromesh with floor mounted short-throw gear shift & remote linkage to gearbox
- **Gear ratios:1**
- **1st** 4.987
- **2nd** 2.870
- **3rd** 1.684
- **4th** 1.000
- **5th** 0.778
- **Reverse** 4.774
- Reverse warning buzzer
- Power take-off provision on left hand side
- Maximum geared speed on standard tyres: 102 km/hour
- Calculated maximum rolling gradeability at manufacturers GVM = 27.70%, GCM = 22.43%

## REAR AXLE - CAPACITY 5,000 KG

- Isuzu heavy duty fully floating banjo type with hypoid single speed reduction
- Ratio: 5.857 : 1
- Hypoid type ring gear 292 mm diameter
- Oil capacity: 3.0 litres

## REAR SUSPENSION

- Semi-elliptical, alloy steel, tapered, multi-leaf springs
- Spring details:  
Size: Length x Width x Thickness; No. of Leaves  
Main: 1250 x 70 x 11 mm - 7 Leaves  
Helper: 970 x 70 x 8 mm - 5 Leaves  
970 x 70 x 9 mm - 4 Leaves
- Hydraulic, double acting, telescopic, shock absorbers

## FRONT AXLE - CAPACITY 2,700 KG

- Reverse Elliot I-Beam type

## FRONT SUSPENSION

- Semi-elliptical, alloy steel, tapered, multi-leaf springs
- Spring details:  
Size: Length x Width x Thickness; No. of Leaves  
1140 x 70 x 9 mm - 7 Leaves
- Hydraulic, double acting, telescopic, shock absorbers

## STEERING

- Fully integrated power assisted recirculating ball type
- Gear ratio: 20.9: 1
- Turns lock to lock: 5.0
- Steering wheel diameter: 410 mm
- Tilt/telescopic steering column

## BRAKES

- Hydraulic dual circuit vacuum assisted tandem master
- Front-two leading shoes. Rear-dual two leading shoes
- Drum diameter front and rear: 320 mm
- Total lining area: 1840 cm<sup>2</sup>
- Total swept area: 6032 cm<sup>2</sup>
- Transmission mounted internal expanding park brake
- Auxiliary exhaust brake

## CHASSIS FRAME

- Rolled steel ladder type channel section with cold rivetted crossmembers
- Sidemember dimensions: 173 x 65 x 6 mm
- Width across chassis: 750 mm

## WHEELS AND TYRES

- Two piece rim and pressed steel disc, 6.0 GS x 16 with 127 mm offset, 6 stud, 20 mm bolt size
- Tyres: 7.50 R16 - 12 ply tube tyres, single front, dual rear
- Spare wheel supplied on chassis
- Number of tyres - including spare: 7

## ELECTRICAL SYSTEM - 12 VOLT

- 12 volt negative earth system with fuse protection for all major circuits
- Battery: 2 / 12 volts - 60 amp/hour
- Alternator: 12 volt, 70 amp with voltage regulator

## CAB EXTERIOR

- Forward control, all steel, cab over engine
- Integrally welded one piece structure
- Cab tiltable to 45° with torsion bar assistance
- Curved and tinted windshield
- Large exterior Aero type mirrors, with under view mirror on passenger side
- Large aluminium drain board steps
- Front mud flaps
- Double action door hinges opening to 90°
- Cab finished in "Ark White" enamel paint

## CAB INTERIOR

- Deluxe trim with sound insulation
- Vinyl floor mat
- Adjustable highback reclining drivers seat
- Double passenger seat with hinged cushion for interior engine access
- Centre seat fold down for built-in tray with clip board
- Door pockets
- Roof header tray
- Sun visors
- Grab handles
- Cigarette lighter
- Rear view mirror
- Heater and defroster
- Full flow fresh air ventilation
- Dome lamp
- Glovebox
- Ashtray
- AM/FM Radio cassette with clock
- Floor mounted gear lever
- Passenger car style park brake control
- Access to fluid checks without tilting cab
- Central door locking
- Roof vent
- Sliding drawer cup holder
- Centre console box

## INSTRUMENTS AND CONTROLS

- Speedometer with odometer
- Tachometer
- Gauges for coolant temperature and fuel level
- Warning lamps on dash panel for oil pressure, battery charge, exhaust brake and low brake fluid
- Steering column mounted combination switch on RH side for turn signal indicators, headlamps & headlamp dip/high beam
- Steering column mounted switches on LH side for windscreen wipers, washers, and exhaust brake control
- Key operation for engine stop/start and steering wheel lock
- Dash mounted fast idle control
- Steering wheel mounted horn bar
- Dome lamp switch

## LAMPS

- 4 Sealed beam Halogen headlamps
- Front and rear combination park/flasher
- Rear combination tail, stop and flasher
- Reverse lamp
- Front cornering lamp

## TOOLS

- General hand tools and 5 tonne jack