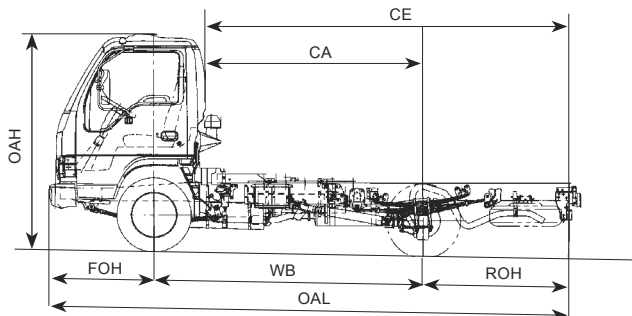
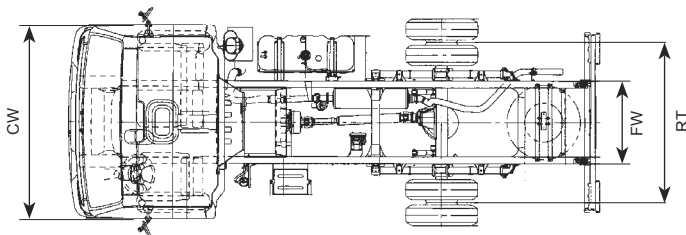
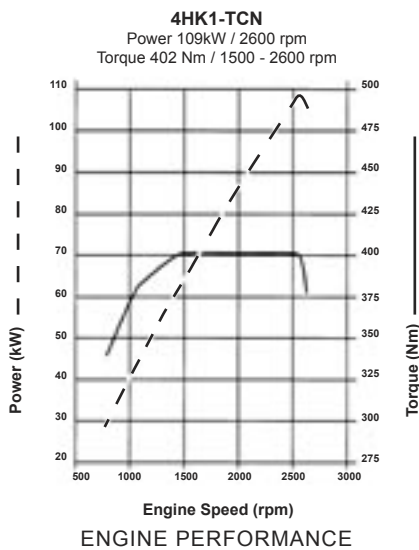




Sample photo only.
Actual vehicle may slightly
differ from that shown.



MAIN SPECIFICATIONS

Model	NPR300S	NPR300M
Code	NP37	NP39
Configuration	4 x 2	
GVM	5,500kg	
GCM	9,000kg	
Towed Mass Unbraked	750kg	
Gradeability at GVM	45.5%	
Estimated geared Speed@RPM	100km/h at 2285	
Turning circle kerb to kerb	9.8m	11.6m

DRIVELINE SPECIFICATIONS

Engine Model	4HK1-TCN (Euro 3)	
Type	Turbocharged 4 cylinder 16V direct injection diesel	
Displacement	5193cc	
Compression ratio	18.5 :1	
Power	109kw (148PS) @ 2,600rpm	
Torque	402Nm (296 lb.ft) @ 1500-2600rpm	
Transmission Model	MYY5T	
Forward Gears	5	

KERB MASS

Front	1580kg	1560kg
Rear	720kg	780kg
Total	2300kg	2340kg

*Estimate with coolant, oils, spare, tools & 10L of fuel

DIMENSIONS (mm)

WB - Wheelbase	2760	3365
OAL - Overall length	5350	5955
CW - Cab width	1995	1995
OAH - Overall height	2235	2235
CA - Cab to rear axle	2235	2840
CE - Cab to rear of frame	3740	4345
FOH - Front overhang	1085	1085
ROH - Rear overhang	1505	1505
FT - Front track	1680	1680
RT - Rear track	1650	1650
FW - Frame width	850	850
Chassis Height at Rear Axle	800	800
Back of Cab Clearance	182	182

UPGRADE OPTIONS

Driver Airbag (SRS)
Automated Manual Transmission (AMT)
Air Conditioning

NPR300S SHORT NPR300M MEDIUM

Driveline Specifications

ENGINE (ISUZU 4HK1-TCN)

Type: 4 cylinder 16 Valve SOHC direct injection diesel. Turbocharged and air to air intercooled.
Adjustable roller type rocker arms.
Displacement: 5,193 CC
Compression Ratio: 18.5:1
Bore x Stroke: 115 x 125 mm
Max power (DIN NET): 109 kW @ 2,600 RPM
Max torque (DIN NET): 402 Nm @ 1,500-2,600 RPM
Emissions Standard: ADR 80/00 (Euro III)

LUBRICATION

- Plate type oil cooler. Combined full flow main and bypass oil filter.

COOLING SYSTEM

- Cooling fan with thermostatically controlled viscous clutch.
- Dual drive belts and thermostats.

AIR INTAKE SYSTEM

- Vertical air intake mounted on back of cab.
- 220 X 320 mm air cleaner element.
- 500 X 370 mm air to air intercooler.

FUEL SYSTEM

- Denso common rail fuel injection. Separate fuel filter and water separator.
- 100 L steel tank

CLUTCH

Standard/SRS Option:

- Auto adjusting hydraulic control.
- Single plate 325 mm diameter.
- Total lining area: 966 cm²

AMT Upgrade Option:

- Electromagnetically controlled wet clutch and fluid coupling with lock up.

TRANSMISSION ISUZU MYY-5T

Standard/SRS Option:

- 5 Speed manual.

AMT Upgrade Option:

- 5 Speed Automated Manual Transmission (AMT) with both fully automatic and clutchless manual operation modes.

All Models:

- Synchronmesh on all forward gears
- PTO provision on LHS of transmission case
- PTO drive from counter gear.
- Gear ratios (:1)

1st	2nd	3rd	4th	5th	Rev
5.315	3.053	1.655	1.000	0.721	5.068

FRONT AXLE: ISUZU F027

- Reverse Elliot I-beam. 2,700 kg capacity.

REAR AXLE: ISUZU R050

- Full floating Banjo type.
- Four differential pinions.
- 5,000 kg capacity.
- Drive ratio: 4.300:1

AXLE LOAD SUMMARY

	Front	Rear
Axle Capacity (kg):	2,700	5,000
Spring Capacity (kg):	3,400	4,480
Tyre Capacity (kg):	2,360	4,480
Limit (kg):	2,360	4,480

Note: Vehicle loading limit is determined by the combination of axle loading limit, GVM and GCM limit, and government regulatory requirements. Consult your Isuzu dealer to select the correct vehicle for your specific application.

Warranty

Vehicle: 36 months/100,000km*
*Which ever comes first. Subject to the terms and conditions detailed in the warranty book.

CVO273 NOV05

Chassis Specifications

FRONT SUSPENSION

- Single stage alloy steel taper-leaf springs.
- Total spring capacity (at ground): 3,400 kg.
- Double acting, hydraulic shock absorbers.
- Stabiliser bar.

REAR SUSPENSION

- Two stage alloy steel multi-leaf springs.
- Nominal size: 1,350 x 70 mm
- Total spring capacity (at ground): 4,480 kg
- Double acting, hydraulic shock absorbers

STEERING

- Power assisted recirculating ball steering.
- Gear ratio: 20.9:1
- Turns lock to lock: 5.4

BRAKES

- Auto-adjusting front disc and rear drum brakes, with dual circuit hydraulic control, vacuum assistance and load sensing proportioning valve.
- ABS - Anti-Lock Breaking System.
- ASR - Anti-Skid Regulator.
- HSA - Hill Start Aid except AMT option.
- Front disc diameter (mm): 293
- Rear drum diameter (mm): 320
- 190 mm diameter drum park brake mounted on rear of transmission.
- Vacuum controlled exhaust brake.

CHASSIS FRAME

- Cold riveted ladder frame. JIS SAPH440 weldable steel.
- Parallel side rails and rivetless top flange.
- Frame dimensions
- Side rail (mm): 216 x 70 X 6.0

WHEELS & TYRES

- 16 x 5.50J Five stud wheels.
- 195/85R 16 114/112L Tubeless.
- Maximum tyre rating: 1,180 kg per tyre (single tyres)
1,120 kg per tyre (dual tyres).
- 1 frame mounted spare wheel and tyre assembly

ELECTRICAL SYSTEM

- 24 Volt electrical system.
- 24 Volt, 60 Amp alternator.
- 24 Volt, 4.5 kW starter motor.
- 2 x 80D26R (582CCA) batteries connected in series.



Sample photo only.
Actual vehicle may slightly differ from that shown.

A policy of continual improvement means that the specifications are subject to change without notice. Contact your Isuzu Dealer to confirm current specification.

Cabin Specifications

CAB EXTERIOR

- All steel cab with side door impact door protection beams. Outer body panels galvanised and treated with corrosion resistant primer.
- Cab built to comply with ECE-R29 crash safety tests
- Manual cab tilt to 45°
- Access to fluid checkpoints without tilting cab.
- Four point tuned rubber cab mounting.
- Heavy duty non slip entry steps.
- 90° opening internally reinforced doors.
- Laminated windscreen.
- Two speed windscreen wipers, with intermittent wipe mode.
- Large rear view mirrors with independently adjustable convex "spot" mirrors on both sides.
- Single piece halogen multi reflector headlamps incorporating turn signals.
- Combination brake, turn, reverse and marker lamps, registration plate illumination lamps.
- Extended wiring harness. Reverse alarm.
- Roof-mounted clearance lamps.
- Front bumper body coloured impact resisting polycarbonate with steel backing frame.

CAB INTERIOR

- Wide contoured driver's bucket seat, lumbar support, reclining back, fore aft adjustment. Two person passenger bench seat, with folding seat back. Seat tilts for access to engine.
- Durable, fire resistant cloth seat facing.
- 3-point, lap sash seatbelts with emergency locking belt retractors in all outboard seating positions.
- Driver airbag (SRS option upgrade only)
- Door and "A" pillar entry assist grips.
- Full interior trim, padded roof lining, and vinyl floor mats. Windscreen header storage shelf.
- Tilt/Telescopic adjustable steering column, soft feel urethane steering wheel.
- Electric windows.
- Central locking with remote keyless entry
- Twin cup holders. Cigarette lighter.
- Centre console box with two storage trays. Fold down storage tray behind centre seat backrest.
- Standard heater/demister with 4 speed fan and outlets for windscreen, side windows, face and floor.
- Air conditioning optional.
- Fore-aft adjustable roof vent.
- Interior lamp with On/Door/Off switch activated by either door.
- Two speaker radio/CD player
- DIN sized compartment below radio for storage or for CB radio installation.

DRIVER CONTROLS

- Key operated engine start/stop and steering lock.
- Engine idle speed control.
- HSA speed control and on/off switch
- - except AMT option.
- ASR on/off option.
- Left side combination stalk: Windscreen wipers, washers and exhaust brake.
- Right side combination stalk: Turn signals and headlamps.
- AMT option: AMT slow/fast gear engagement control, cruise control.

INSTRUMENTATION

- **Gauges:** Electronically driven speedometer and tachometer. Digital odometer with integrated dual tripmeter. Engine coolant temperature and fuel level gauges.
- **Warning lamps:** low battery charge, brake failure, low fuel level, glow plug/engine malfunction, low oil pressure, water separator.
- **Indicator lamps:** Turn signals, parking brake, high beam, exhaust brake engaged.
- **AMT option:** Gear selection display.