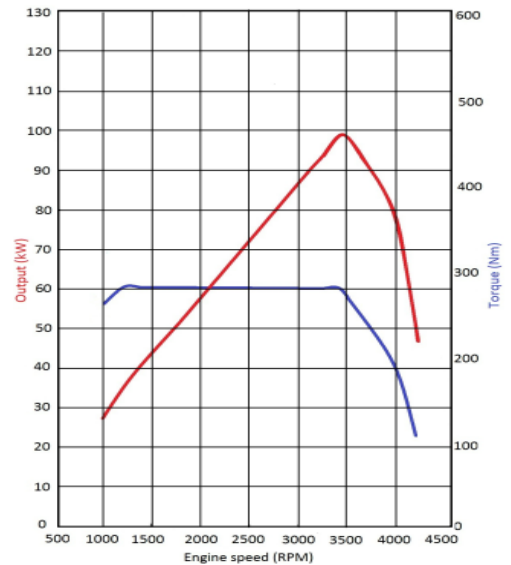


Model	NLR250S	NLR250S AMT	NLR250M	NLR250M AMT
GCM (kg)	9,000	9,000	9,000	9,000
GVM (kg)	5,500	5,500	5,500	5,500
Max Power (kW)	110	110	110	110
Wheelbase (mm)	2490	2490	3360	3360
Licence **	Class 1	Class 1	Class 1	Class 1



ENGINE

Engine Model:	4JJ1-TCS
Type:	4 cylinder 16 valve, DOHC
Displacement:	2,999
Compression Ratio:	17.5:1
Max Power (DIN Nett):	110kW (150 HP) @2,800 RPM
Max Torque (DIN Nett):	375 Nm (276 lb.ft) @1,450
Emission Control System:	Euro V with cooled EGR and Diesel Particulate Diffuser
Fuel System:	Electronically controlled direct injection, high pressure common rail 75 litre fuel tank on Short, 100 litres on Medium with lockable fuel cap. Water-in-fuel sensor standard
Air Intake System:	Electronically controlled variable nozzle turbo charger with air-to-air Intercooler, vertical air intake behind cab



PERFORMANCE

- Maximum Towed Mass (braked): 3,500kgs - 1st Gear Gradeability @GVM: M 54%/AMT 55%
- Maximum Towed Mass (unbraked): 2,000kgs - Est Engine RPM @90km/h :M 2330/AMT 2185

TRANSMISSION

Manual:	MYY5T - 5 spd manual, synchromesh on 1st to 5th Auto adjusted 300mm single plate clutch, vacuum assist
Ratios (:1)	1st 5.315, 2nd 3.053 3rd 1.655, 4th 1.0, 5th 0.721, Rev 5.701
AMT	MYY6S 6 spd Automated Manual with full automatic and sequential manual shift modes. Full auto, electronically controlled wet clutch and fluid coupling with lock-up and air-to-air cooler. Oil capacity: approx 6.6 litres
Ratios (:1)	1st 5.979, 2nd 3.434 3rd 1.862, 4th 1.297, 5th 1.000, 6th 0.750, Rev 5.701
PTO:	Provision on LHS of transmission case, countershaft driven,

AXLES

Front Axle:	Isuzu FLO26
Type:	Independant coil spring front axle
Capacity:	2,600kgs
Rear Axle:	Isuzu RO50- Full floating banjo type housing
Capacity:	5000kgs
Final Drive:	292mm diameter ring gear
Ratio (:1):	4.556 (man) 4.10 (AMT)
Oil capacity	Approx 3.0 litres

CHASSIS

Front Suspension

- Coil spring - independent
- Double acting shock absorber
- Stabiliser bar

Steering

- Power assisted rack and pinion
- Turns lock-to-lock 4.2

Chassis Frame

- Cold riveted ladder frame
- Rail dimensions (mm) 185 x65 x 4
- SAPH440 weldable steel

Rear Suspension

- Taper leaf spring with helper
- Double acting shock absorbers

Electrical

- Batteries – Manual: 2 x 65D23L
AMT: 2 x 75D23L

Brakes

- Auto adjusting front discs, rear drums with hydraulic dual circuit control, vacuum assisted and Electronic Brake Distribution (EDB)
- ABS and ASR (traction control)
- Hill Start Aid (except AMT)
- Front discs 265 x 35
- Rear drum 290mm x 75mm
- 190mm diameter drum park brake on rear of transmission

Wheels and Tyres

- 16.0x5.5Jx116.5mm 5-stud steel wheels
- 195/75 R16C 107/105 M tubeless tyres
- Silver painted wheel rims
- Frame mounted spare wheel with tyre

CAB AND INTERIOR

CAB EXTERIOR

- All steel construction, high tensile steel on cab under-frame and side impact beam reinforcement
- Cab is fully compliant with ECE-R29 crash tests
- Manual cab tilt to 45° with torsion bar assistance
- Liquid filled front and rear cab mounts
- Heavy duty non-slip cab entry steps
- 70° opening doors
- Cab mounted main mirrors on front of cab
- Halogen multi-reflector headlamps with integral front turn signals
- Additional door mounted turn signals
- Polycarbonate front bumper with steel frame
- Combined brake/turn/reverse/marker lamps
- Registration plate lamps
- Reverse alarm buzzer standard

CAB INTERIOR

- Contoured adjustable driver's bucket seat with mechanical suspension rated to 130 kg
- Passenger bench seat with capacity for two adults
- Centre seat has lap belt
- 3-point ELR seatbelts in outboard seat positions
- Driver's seat belt has pre-tensioner

CAB INTERIOR (continued)

- SRS including air bag for driver and passenger
- Door and pillar entry assist grips both sides
- Lined interior, padded roof lining and vinyl floor covers
- RH and LH overhead storage shelf
- Height/reach adjustable steering column, soft-feel urethane steering wheel
- Electric windows
- Central locking with keyless entry and immobiliser
- Twin cup holders, 24V cigarette lighter
- Integrated air conditioning with 4 speed fan
- Door mounted storage pockets, LH glove box
- Multi Media radio/CD/DVD/MP3/WMA Player with 6.2" Touch Screen, Bluetooth, voice dialling, text to speech, SD and USB inputs, on-board recordable memory – optional external cameras with up to 4-way screen, GPS navigation and many other options
- Fluorescent interior light
- 5 DIN sized compartments for extra communications

INSTRUMENTS and CONTROLS

- Speedometer with digital odometer and two trip meters, tachometer, engine coolant temperature, fuel level gauges
- Two-speed wipers with intermittent wipe mode
- Key operated engine start/stop, steering lock
- HSA slow/fast engagement control with on/off switch (except AMT)
- ASR on/off switch
- DPD manual regenerate switch
- AMT: slow/fast clutch engagement control, 1st gear selection, economy mode
- LH combination stalk: Windscreen wipers, washers and exhaust brake
- RH combination stalk: Indicators, light switch and headlamp dip switch
- Warning lamps: Check engine, oil pressure, ABS, SRS, alternator charge, service brake, park brake on, seat belt unbuckled, AMT check
- Indicator lamps – HAS (except AMT), warm up system, high beam, DPD status, 1st gear start, turn signals
- AMT only: Econo mode, 1st gear start, gear selection display

WEIGHTS (kgs)

MODEL CODES	MODELS	RATINGS *		LOADING LIMITS (at ground)*		CHASSIS CAB TARE MASS **		
		GVM	GCM	FRONT	REAR	FRONT	REAR	TOTAL
NL0113	NLR250 S	5500	9000	1950	3700	1415	580	1995
NL0213	NLR250 S AMT	5500	9000	1950	3700	1425	600	2025
NL0313	NLR250 M	5500	9000	1950	3700	1425	600	2025
NL0413	NLR250 M AMT	5500	9000	1950	3700	1445	620	2065

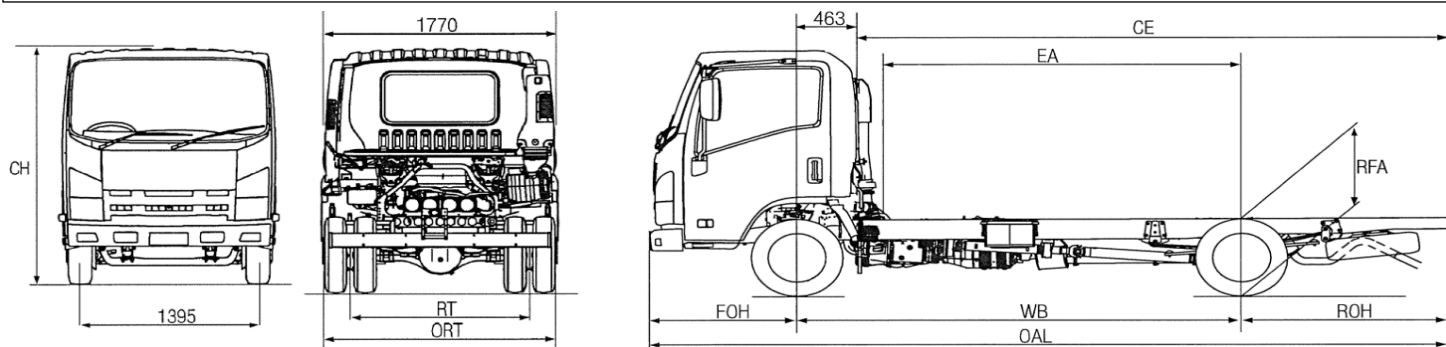
* Vehicle ratings and front and rear mass limits are subject to regulatory requirements – Consult your dealer to select a specific vehicle to suit your requirements

** Chassis cab as supplied from the factory including 10 litres of fuel

DIMENSIONS (mm)

Models	WB	OAL	CH *	FOH	ROH	EA	CE	RT	ORT	FW	RFH *	BOC	Kerb to Kerb (m)
NLR250S and AMT	2490	4735	2135	1100	1145	1805	3172	1240	1855	700	695	222	8.9
NLR250M and AMT	3360	6025	2135	1100	1565	2675	4462	1425	1855	700	720	222	12.0

* Unladen condition, chassis cab only



WARRANTY

Full vehicle warranty: 36 months or 100,000 kilometres whichever occurs first

All warranty is subject to terms and conditions as detailed in the Owner's Manual Service and Warranty Supplement

to confirm specifications. Images of vehicles are representative only and may differ slightly from the actual vehicle

** Always refer to NZTA to confirm & for Licensing changes.