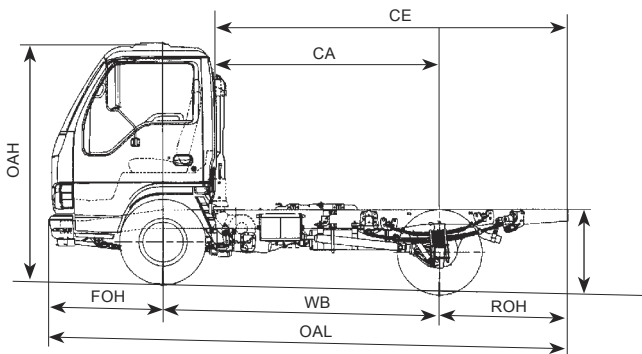
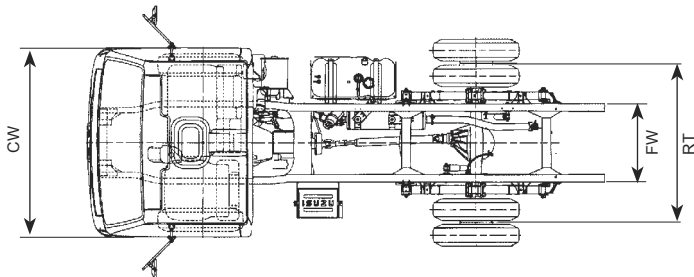
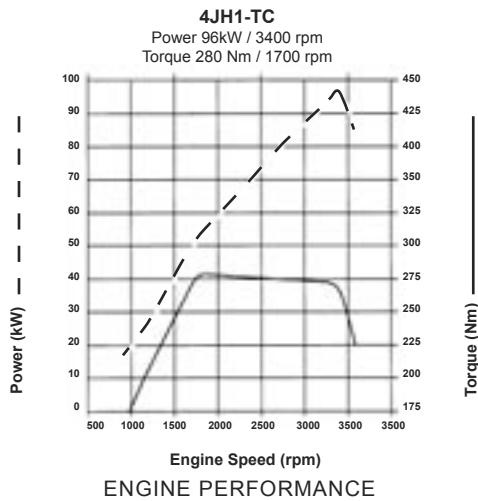




Sample photo only.
Actual vehicle may slightly
differ from that shown.



MAIN SPECIFICATIONS			
Model	NKR250FL	NKR250S	NKR250M
Code	NK27	NK29	NK31
Configuration	4 x 2		
GVM	4,495kg		
GCM	7,995kg		
Towed Mass Unbraked	750kg		
Gradeability at GVM	51.35%	58.8%	58.8%
Estimated geared Speed@RPM	100km/h @ 2950	100km/h @ 3260	100km/h @ 3260
Turning circle kerb to kerb	11.0m	11.0m	14.2m

DRIVELINE SPECIFICATIONS	
Engine Model	4JH1-TC (Euro 3)
Type	Turbocharged 4 cylinder OHV direct injection diesel
Displacement	2,999cc
Compression ratio	18.3 :1
Power	96kW (131PS) @ 3,400rpm
Torque	280Nm (207 lb.ft) @ 1700rpm
Transmission Model	MYY5T
Forward Gears	5

KERB MASS			
Front	1245kg	1265kg	1325kg
Rear	500kg	615kg	625kg
Total	1745kg	1880kg	1950kg

*Estimate with coolant, oils, spare, tools & 10L of fuel.

DIMENSIONS (mm)			
WB - Wheelbase	2490	2460	3360
OAL - Overall length	4590	4610	5830
CW - Cab width	1695	1695	1695
OAH - Overall height	2175	2175	2170
CA - Cab to rear axle	2030	2000	2900
CE - Cab to rear of frame	3115	3135	4355
FOH - Front overhang	1015	1015	1015
ROH - Rear overhang	1085	1135	1455
FT - Front track	1400	1400	1400
RT - Rear track	1265	1425	1425
FW - Frame width	800	700	700
Chassis Height at Rear Axle	720	758	791
Back of Cab Clearance	110	110	110

UPGRADE OPTIONS			
Air Conditioning			

NKR250FL FLAT LOW NKR250S SHORT NKR250M MEDIUM

Driveline Specifications

ENGINE (ISUZU 4JH1-TC)

Type: 4 cylinder OHV direct injection diesel.
Turbocharged and air to air intercooled.
Displacement: 2,999 CC
Compression Ratio: 18.3:1
Bore x Stroke: 95.4 x 104.9 mm
Max power (DIN NET): 96 kW @ 3,400 RPM
Max torque (DIN NET): 280 Nm @ 1,700 RPM
Emissions Standard: ADR 80/00 (Euro III)

LUBRICATION

- External oil cooler. 8.0 L oil capacity.
Full flow oil filter.

COOLING SYSTEM

- 8 blade, 420 mm diameter cooling fan with thermostatically controlled viscous clutch.
- Radiator frontal area: 2,525 cm².
- Coolant capacity 7.3 L

AIR INTAKE SYSTEM

- Vertical air intake mounted on back of cab.
197 X 255 mm air cleaner element.
- 420 X 220 mm air to air intercooler.

FUEL SYSTEM

- Bosch VP44 electronically controlled distributor type fuel injection.
- Fuel/water separator with warning lamp.
- 75 L steel tank

CLUTCH

- Auto adjusting hydraulic control.
- Single plate 300 mm diameter.
- Total lining area: 847 cm²

TRANSMISSION - ISUZU MYY-5T

- 5 Speed manual.
- Synchromesh on all forward gears.
- PTO provision on LHS of transmission case.
PTO drive from counter gear.
- Gear ratios (:1)

1st	5.315
2nd	3.053
3rd	1.655
4th	1.000
5th	0.721
Rev	5.068

FRONT AXLE: ISUZU F022

- Reverse Elliot I-beam. 2,200 kg capacity.

REAR AXLE: ISUZU R040

- Full floating Banjo type.
- Four differential pinions.
4,000 kg capacity.
- Drive ratio: 4.777:1 (Flat Low),
6.142:1 (Short/Medium)

AXLE LOAD SUMMARY

Short/Medium	Front	Rear
Axle Capacity (kg):	2,200	4,000
Spring Capacity (kg):	3,140	4,615
Tyre Capacity (kg):	2,360	4,480
Limit (kg):	2,200	4,000

Flat Low	Front	Rear
Axle Capacity (kg):	2,200	4,000
Spring Capacity (kg):	3,140	3,835
Tyre Capacity (kg):	2,360	2,940
Limit (kg):	2,200	2,940

Note: Vehicle loading limit is determined by the combination of axle loading limit, GVM and GCM limit, and government regulatory requirements. Consult your Isuzu dealer to select the correct vehicle for your specific application.

Chassis Specifications

FRONT SUSPENSION

- Single stage alloy steel taper leaf springs.
- Total spring capacity (at ground): 3,140 kg.
- Double acting, hydraulic shock absorbers.
- Stabiliser bar (Flat Low only).

REAR SUSPENSION

- Two stage alloy steel multi leaf springs.
- Nominal size: Short/Med Flat Low
1,250 x 70 mm 1,200 x 70 mm
- Total spring capacity (at ground): 3,835 kg
(Flat Low), 4,615 kg (Short/Med).
- Double acting, hydraulic shock absorbers

STEERING

- Power assisted recirculating ball steering.
- Gear ratio: 22.6:1
- Turns lock to lock: 4.9

BRAKES

- Auto adjusting front disc and rear drum brakes,
with dual circuit hydraulic control, vacuum
assistance and load sensing proportioning valve.
- Standard ABS.

	Short/Med	Flat Low
Front disc diameter (mm):	293	293
Rear drum diameter (mm):	320	240
190 mm diameter drum park brake mounted on rear of transmission. Vacuum controlled exhaust brake.		

CHASSIS FRAME

- Cold riveted ladder frame. JIS SAPH440 weldable steel.
- Frame dimensions Short/Med Flat Low
Side rail (mm): 170 x 65 X 4.5 170 X 50 X 4.5
Rear frame width (mm): 700 800

WHEELS & TYRES

- Short/Medium
 - 16 x 5.50J Five stud wheels.
 - 195/85R 16 114/112L Tubeless.
 - Maximum tyre rating: 1,180 kg per tyre (single tyres)
1,120 kg per tyre (dual tyres).
- 1 frame mounted spare wheel and tyre assembly
- Flat low
 - Front: 16 x 5.50J Five stud wheels.
195/85R 16 114/112L Tubeless.
 - Rear: 14 x 4.50J wheels.
175R14LT 8PR
 - Front tyre rating: 1,180 kg per tyre (single tyres)
Rear tyre rating: 735 kg per tyre (dual tyres).
- 1 front, 1 rear, frame mounted spare wheel and tyre assembly

ELECTRICAL SYSTEM

- 12 Volt electrical system.
- 12Volt, 80 Amp alternator.
- 12 Volt, 2.2 kW starter motor.
- 2 x 80D26R (582CCA)
batteries connected in parallel.



Sample photo only.
Actual vehicle may slightly differ from that shown.

Cabin Specifications

CAB EXTERIOR

- All steel cab with side door impact door protection beams. Outer body panels galvanised and treated with corrosion resistant primer.
- Cab built to comply with ECE-R29 crash safety tests
- Manual cab tilt to 45°
- Access to fluid checkpoints without tilting cab.
- Four point tuned rubber cab mounting.
- Body coloured impact resisting polycarbonate front bumper, with steel backing frame.
- Heavy duty non slip entry steps.
- 90° opening internally reinforced doors.
- Laminated windscreen.
- Two speed windscreen wipers, with intermittent wipe mode.
- Single piece halogen multi reflector headlamps incorporating turn signals.
- Combination brake, turn, reverse and marker lamps, registration plate illumination lamps.
Extended wiring harness. Reverse alarm.
- Large rear view mirrors with additional, independently adjustable convex "spot" mirrors on both sides.

CAB INTERIOR

- Wide contoured driver's bucket seat, lumbar support, reclining back, fore aft adjustment. Two person passenger bench seat, with folding seat back. Seat tilts for access to engine.
- Durable, fire resistant cloth seat facing.
- 3 point, lap sash seatbelts with emergency locking belt retractors in all outboard seating positions.
- Door and "A" pillar entry assist grips.
- Full interior trim, padded roof lining, and vinyl floor mats.
- Tilt/Telescopic adjustable steering column, soft feel urethane steering wheel.
- Electric windows.
- Central locking with remote keyless entry
- Twin cup holders. Cigarette lighter.
- Standard heater/demister with 4 speed fan and outlets for windscreen, side windows, face and floor. Air conditioning optional.
- Interior lamp with On/Door/Off switch activated by either door.
- Two speaker radio/CD player
- DIN sized compartment below radio for storage or for CB radio installation.

DRIVER CONTROLS

- Key operated engine start/stop and steering lock.
- Left side combination stalk: Windscreen wipers, washers and exhaust brake.
- Right side combination stalk: Turn signals and headlamps.

INSTRUMENTATION

- Gauges:** Electronically driven speedometer and tachometer. Digital odometer with integrated dual tripmeter. Engine coolant temperature and fuel level gauges.
- Warning lamps:** low battery charge, brake failure, low fuel level, glow plug/engine malfunction, low oil pressure, water separator.
- Indicator lamps:** Turn signals, parking brake, high beam, exhaust brake engaged.

Warranty

Vehicle: 36 months/100,000km*
*Which ever comes first. Subject to the terms and conditions detailed in the warranty book.

A policy of continual improvement means that the specifications are subject to change without notice. Contact your Isuzu Dealer to confirm current specification.

CVO270 NOV05

N SERIES
www.isuzu.co.nz

ISUZU
TRUCKS YOU CAN RELY ON