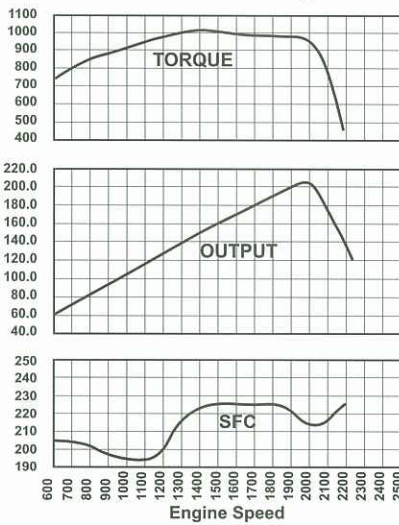




Sample photo only.
Actual vehicle may differ
slightly from that shown.

Performance Curve of
6SD1-TC EURO 3 Engine



MAIN SPECIFICATIONS		
Model	FVZ1400P	FVZ1400A
Code	FV26	FV16
Configuration	6 x 4	
GVM	24,000kg	
GCM	39,000kg	36,000kg
Towed Mass Unbraked	2,000kg	
Gradeability at GVM	55%	36%
Gradeability at GCM	27%	20%
Estimated geared Speed 90km/h @ rpm	1,830rpm	1,785rpm
Turning circle kerb to kerb	15.3m	18.0m

DRIVELINE SPECIFICATIONS

Engine Model	6SD1-TC - Euro 3	
Type	6 cylinder in-line OHC common rail injection turbo/intercooled, diesel	
Displacement	9,839cc	
Compression ratio	16.0:1	
Power (JIS Gross)	206kW (280PS) @ 2,000rpm	
Torque (JIS Gross)	1,030Nm (760lb/ft) @ 1,400rpm	
Transmission Model	RT7608LL	MD3560P
Forward Gears	10	6-AUTO

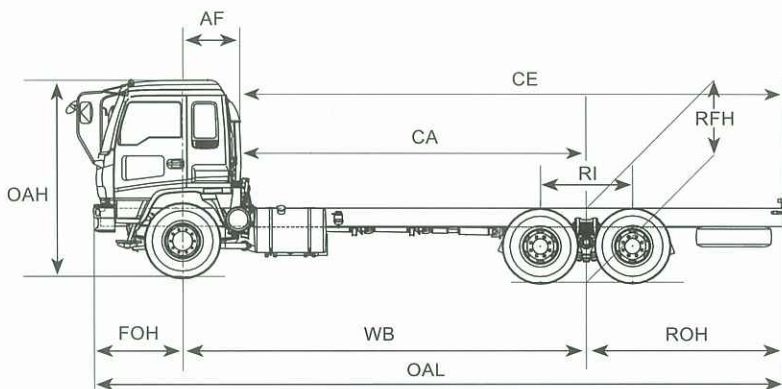
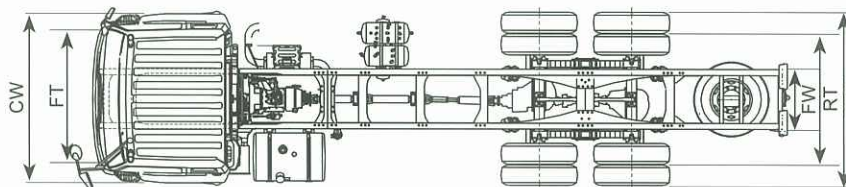
KERB MASS (kg)

Front	3184	3155
Rear	3484	3490
Total	6668	6645

*Estimate with coolant, oils, spare, tools & 10L of fuel.

DIMENSIONS (mm)

WB - Wheelbase	4410	5300
OAL - Overall length	7580	9195
CW - Cab width	2460	2460
OAH - Overall height	2790	2790
CA - Cab to rear axle	3700	4590
CE - Cab to rear of frame	5600	7215
FOH - Front overhang	1270	1270
ROH - Rear overhang	1900	2625
FT - Front track	1990	1990
RT - Rear track	1855	1855
FW - Frame width	850	850
RI - Rear Interaxle	1310	
Chassis height at rear cab	1070	
AF - Front axle to rear cab	710	710
ORT - Overall rear tyres	2465	



FVZ1400 PTO FVZ1400 AUTO 6 x 4

Driveline Specifications

ENGINE - ISUZU 6SD1-TCC -EURO3

- Bore and stroke mm 120 x 145
- Emission std Euro 3

LUBRICATION

- Pressure feed lubrication with combination full flow and partial flow bypass filter.
- Sump capacity: 27 litres including filter approx.

COOLING SYSTEM

- 6 blade plastic cooling fan 600mm diameter with bell-mouth fan shroud and dual drive belts
- Bimetallic controlled, thermatic fan clutch
- Tube and corrugated fin, pressure type radiator
- Coolant capacity: 29 litres approx.

FUEL SYSTEM

- "Denso" common rail fuel injection.
- Fuel filter with water separator.
- Double paper element air cleaner vertical air intake
- Single steel 180 litre fuel tank
- 100km/h speed limited

TRANSMISSION EATON RT7608LL

- 6 Speed over drive, automatic transmission with programmable electronic control
- Gear ratios (:1)

1st	4.59	5th	0.75
2nd	2.25	6th	0.65
3rd	1.54	Reverse	5.00
4th	1.00		
- Torque converter stall ratio 2.02:1
- Oil capacity: 27 litres approx.

TRANSMISSION ALLISON MD3560P

- 10 Speed direct drive constant mesh with repeat H range change shift patterns and PTO opening on RHS and bottom
- Gear ratios (:1)

Low Low	18.81	6th	1.83
Low	12.31	7th	1.36
1st	8.24	8th	1.0
2nd	6.07	Reverse	
3rd	4.51	Low Low	17.87
4th	3.32	Low	11.69
5th	2.48	High	3.52
- Oil capacity: 11.1 litres approx.

FLYWHEEL POWER TAKE-OFF (FVZ1400P)

- Drive ratio (PTO rpm: engine rpm) 1.1:1
- Maximum output torque: 440 Nm
- Output flange rotates in same direction as engine.

EXHAUST

- Horizontal muffler with vertical exhaust pipe option
- Air operated butterfly type exhaust brake

FRONT AXLE

- "Meritor" FG941 reverse elliptical "I" beam

REAR AXLE

- "Meritor" RT-40-145G tandem axle with electric/air inter-axle differential lock
- Banjo type, fully floating, single reduction
- Drive ratio: 5.875:1 (FVZ1400A)
- Drive ratio: 3.909:1 (FVZ1400P)
- Hypoid type ring gear 381 mm diameter

AXLE LOAD SUMMARY (KG)

	Front	Rear
Axle	6,600	18,100
Spring	6,670	20,740
Tyre	6,300	23,200
Legal Limit	6,000	15,000

Chassis Specifications

FRONT SUSPENSION

- Alloy steel taper leaf (parabolic) springs
- Nominal size mm 1600 x 80 x 3 leaves
- Stabiliser bar
- Hydraulic double acting, telescopic shock absorbers

REAR SUSPENSION

- Isuzu 6 rod and trunnion axle location system
- Semi-elliptical alloy steel, multi-leaf springs
- Nominal size mm 1300 x 90 x 7 leaves

STEERING

- Re-circulating ball steering with integral power assistance.
- Gear ratio: 22.4 : 1
- Turns lock to lock: 5.4
- Gear driven vane type oil pump
- Oil capacity: 3.4 Litres approx.
- Soft feel urethane steering wheel 480mm dia. 2 spoke
- Tilt/telescopic steering column adjustable for height and angle.

BRAKES

- "Meritor" "Q Plus" dual circuit, full air "S" cam with leading and trailing shoes
- Drum diam. front and rear: 419 mm
- Asbestos free lining
- Swept area 12,716cm
- Automatic slack adjusters
- Spring park brake acting on rear wheels
- Air dryer

CHASSIS FRAME

- Parallel rail, ladder type channel section
- Straight frame for easy body mounting
- Side member dimensions: 254 x 85 x 8 mm
- Frame reinforcement angle section
- Material: HT540A
- Please refer to Isuzu body builders guide for chassis modifications and body fitment.

WHEELS & TYRES

- One piece rim and pressed steel disc 8.25 x 22.5 with 165mm offset, 10 stud, 22mm bolt size.

Tyres

- 11R 22.5, radial tubeless

ELECTRICAL SYSTEM

- 24 volt negative earth system with fuse protection for all major circuits
- Battery: 2 x 12 volt, 520CCA @ -18°C
- Starter motor 24 volt, 5.5kW output
- Alternator: 24 volt, 60 amp
- Rear stop and tail lamps and licence plate lamp with long leads for variable body mounting.

Cabin Specifications

CAB EXTERIOR

- All steel cab with welded strengthening ribs and door side impact beams.
- Cab tiltable to 45 degrees with torsion bar assist
- Four point cabin suspension utilising silicone filled rubber isolators
- Laminated curved and tinted windshield toughened rear and side glass
- Heavy duty bumper bar with step holes and foot plate
- West Coast style mirrors
- 2 speed windscreen wiper/washer system with variable intermittent mode. Triple washer jets mounted on washer arms.
- Front mud flaps
- Large alloy non-skid entry steps
- Access to engine fluid check at rear of cab
- Access to washer/clutch fluids through lift up front panel of cab
- Cab finished in "Arc white" enamel paint.
- Halogen head lamps

CAB INTERIOR

- Fully trimmed cab interior with cloth seat facings, formed roof lining, overhead storage lockers
- Isringhausen 6500/517 air suspension drivers seat with auto weight adjustment to 130 kg
- High back outboard passengers seat
- 12v 100watt accessory outlet
- Large centre storage area and compartments
- Fresh air heater/demister with four speed fan
- Easy entry grab handles on "A" and "B" pillars
- AM/FM Single CD tuner with remote seek switch.
- Overhead lockers
- Dual sun visors
- Ashtray in both doors
- Drivers foot rest
- Power windows
- Lockable tool box and 10,000kg jack.
- Interior rear view mirror
- Seatbelts
- Cigarette lighter

INSTRUMENTS AND CONTROLS

- Gauges: Electronic speedometer with odometer, electronic tachometer, dual air pressure, fuel level, coolant temperature, and temp meter
- Warning lamps: Battery charge, low air pressure, and buzzer oil pressure, stop/tail light failure and indicator warning light failure and check engine
- Indicator lamps: Turn signal, high beam, parking brake, reversing lamp and beeper, and diff lock
- LH side combination stalk switch for windscreen wipers and washer, exhaust brake, hazard flasher
- RH side combination stalk switch for headlamps, high beam, and turn signals
- Engine idle speed adjust control
- Key operation for engine stop/start and external engine crank switch for when cab tilted
- Push button gear selection for auto model.



Sample photo only. Actual vehicle may differ slightly from that shown.

Warranty

Vehicle: 24 months/150,000km*
 Powertrain: 36 months/200,000km*
 Corrosion (Perforation): 36 months
 *Which ever comes first. Subject to the terms and conditions detailed in the warranty book.