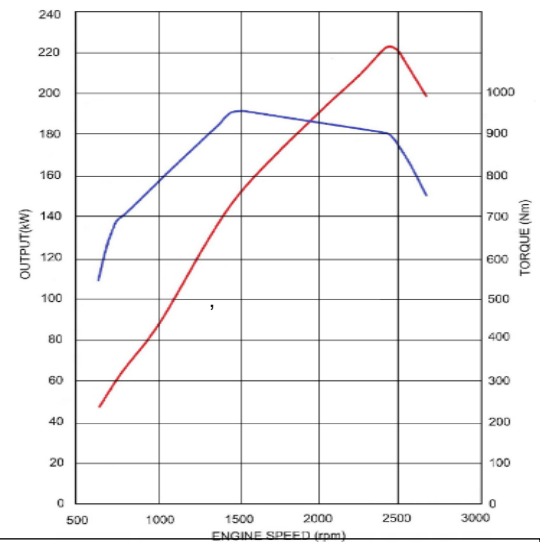


Model	FVY1400L	FVY1350L	FVY1400A	FVY1350A
GCM (kg)	36,000	36,000	36,000	36,000
GVM (kg)	24,000	18,000	24,000	18,000
Max Power (kW)	221	221	221	221
Wheelbase (mm)	6470	6470	6470	6470
Suspension	Air	Air	Air	Air



## ENGINE

<b>Engine Model:</b>	6HK1-TCS
<b>Type:</b>	6 cyl 24 valve, SOHC
<b>Displacement:</b>	7,790cc
<b>Compression Ratio:</b>	17.5:1
<b>Max Power (DIN Nett):</b>	221kW (300 HP) @2,400 RPM
<b>Max Torque (DIN Nett):</b>	980 Nm (723 lb.ft.) @1,450
<b>Emission Control System:</b>	Euro V with cooled EGR and Diesel Particulate Diffuser
<b>Fuel System:</b>	Electronically controlled direct injection, high pressure common rail 400 litre alloy fuel tank, (auto 200 litre steel tank) with lockable cap
<b>Air Intake System:</b>	Electronically controlled variable turbo charger with air-to-air Intercooler, vertical air intake behind cab



## PERFORMANCE

- Maximum Towed Mass (braked): 20,000kgs
- Maximum Towed Mass (unbraked): 2,000kgs
- 1<sup>st</sup> Gear Gradeability @GVM: M 44%/23% A
- Est Engine RPM @90km/h : M 2000/ 2020 A

## TRANSMISSION

<b>Manual:</b>	ZF-9S-1110-TO 9 spd manual, synchromesh on 1 <sup>st</sup> to 8 <sup>th</sup> with air assisted Double H shift pattern
<b>Clutch:</b>	Air assisted hydraulic control, 381mm single plate clutch
<b>PTO:</b>	Provision at rear of transmission case
<b>Ratios (:1)</b>	Crawler 9.48, 1 <sup>st</sup> 6.58, 2 <sup>nd</sup> 4.68, 3 <sup>rd</sup> 3.48, 4 <sup>th</sup> 2.62, 5 <sup>th</sup> 1.89, 6 <sup>th</sup> 1.35, 7 <sup>th</sup> 1.00, 8 <sup>th</sup> 0.75 Rev 8.97
<b>Auto:</b>	Allison MD3560P GEN 4 Wide ratio gearbox with TC419 converter
<b>PTO:</b>	PTO provision 4-o'clock & 8-o'clock, engine driven
<b>Ratios (:1)</b>	1 <sup>st</sup> 4.59, 2 <sup>nd</sup> 2.25, 3 <sup>rd</sup> 1.54, 4 <sup>th</sup> 1.00, 5 <sup>th</sup> 0.75, 6 <sup>th</sup> 0.65, Rev 5.00

## AXLES

<b>Front Axle:</b>	Meritor FG941
<b>Type:</b>	Elliot reverse I-beam
<b>Capacity:</b>	6,600kgs
<b>Rear Axle</b>	Meritor RT-40-145G
<b>Type:</b>	Full floating banjo drive axle
<b>Final Drive:</b>	457mm diameter ring gear
<b>Ratio:</b>	FVY Auto = 6.142:1 FVY Long = 5.285:1
<b>Capacity:</b>	18,100 kgs

## CHASSIS

### Suspension

- Single stage alloy steel taper leaf spring

### Rear Suspension

- Hendrickson HAS 460 air bag suspension
- Outboard mounted double acting hydraulic shock absorbers

### Steering

- Power assisted recirculating ball
- Gear Ratio 22.4:1
- Turns lock-to-lock 5.4

### Chassis Frame

- Cold riveted ladder frame with parallel side rails
- Rail dimensions (mm) 254 x 85 x 8
- HT540A weldable steel

### Brakes

- Meritor Q-Plus dual circuit, full air, S-cam drum brakes with auto-adjusting slack adjusters
- ABS
- Hill Start Aid (manual transmission only)
- Front drum 419mm x 127mm
- Rear drum 419mm x 178mm
- Spring park brake on rear wheels
- Air dryer
- Air controlled exhaust brake

### Wheels and Tyres

- Rims: 22.5 x 8.25 x 165mm 10-stud steel wheels
- Tyres: 275/70R22.5 148/145 M tubeless tyres
- Frame mounted spare wheel with tyre

### Electrical

- 24 volt negative earth system
- 60 amp alternator
- Batteries - 2 x 115E41L 80Ah, 665CCA @ 18°C

## CAB AND INTERIOR

### CAB EXTERIOR

- All steel construction, high tensile steel on cab under-frame and side impact beam reinforcement
- Cab is fully compliant with ECE-R29 crash tests
- Manual cab tilt to 45° with torsion bar assistance
- Liquid filled cab mounts
- 90° opening internally reinforced doors
- Door mounted 19" heated power mirrors, flat glass on main and convex on spot mirrors
- Air dam steel front bumper with integral fog lamps
- Halogen multi-reflector headlamps with integral turn signals
- Additional door-mounted turn signal indicators with cornering lamps
- Roof-mounted outline marker lamps
- Combined brake/turn/reverse/marker lamps

### CAB INTERIOR

- Driver's seat - ISRI 6870 air suspended seat for occupant mass up to 150kg, pneumatic lumbar support, height, rake, auto weight adjustment
- Front passenger adjustable bucket seat and front centre seat with folding backrest, console in backrest

### CAB INTERIOR (continued)

- SRS including air bag on both outer seats
- Door and pillar entry assist grips both sides
- Lined interior, padded roof lining and vinyl floor covers
- Manual control integrated air conditioning
- Height/reach adjustable steering column, soft-feel Urethane steering wheel
- Central locking with keyless entry and engine immobiliser
- Door mounted storage pockets, LH and RH glove boxes, RH and LH overhead storage shelf
- Centre console with storage tray
- Fluorescent interior lamp
- Multi Media radio/CD/DVD/MP3/WMA Player with 6.2" Touch Screen, Bluetooth, voice dialling, text to speech, SD and USB inputs, on-board recordable memory – optional external cameras with up to 4-way screen, GPS navigation and many other options
- 5 DIN sized compartments for extra communications and storage

### INSTRUMENTS AND CONTROLS

- Tachometer, engine coolant temperature, fuel and dual brake air pressure gauges
- Two-speed wipers with intermittent wipe
- Key operated engine start, stop, steering lock
- HSA slow/fast engagement control with on/off switch
- DPD manual regenerate switch,
- **LH combination stalk:** windscreen wipers and washers exhaust brake
- **RH combination stalk:** Indicators, light switch, headlamp dip switch
- **Warning lamps:** Check engine, oil pressure, ABS, SRS, alternator charge, service brake, park brake on, seat belt, low air pressure, low fuel level, water-in-fuel, cab lock
- **Indicator lamps** – HSA, warm up system, high beam, DPD status, exhaust brake, turn signals
- **Multi info display** shows service interval, instant and average fuel cons, DPD bar chart, hour meter, voltmeter, time/day/date, 40-120 adjustable speed warning

## WEIGHTS (kgs)

Model Code	MODEL	RATINGS *		LOADING LIMITS (at ground)*		CHASSIS CAB TARE MASS **		
		GVM	GCM	FRONT	REAR	FRONT	REAR	TOTAL
FV0416	FVY1400L	24,000	36,000	6000	15,000	3490	3450	6940
FV0516	FVY1400A	24,000	36,000	6000	15,000	3540	3430	6970
FV1116	FVY1350L	18,000	36,000	6000	15,000	3490	3450	6940
FV1216	FVY1350A	18,000	36,000	6000	15,000	3540	3450	6970

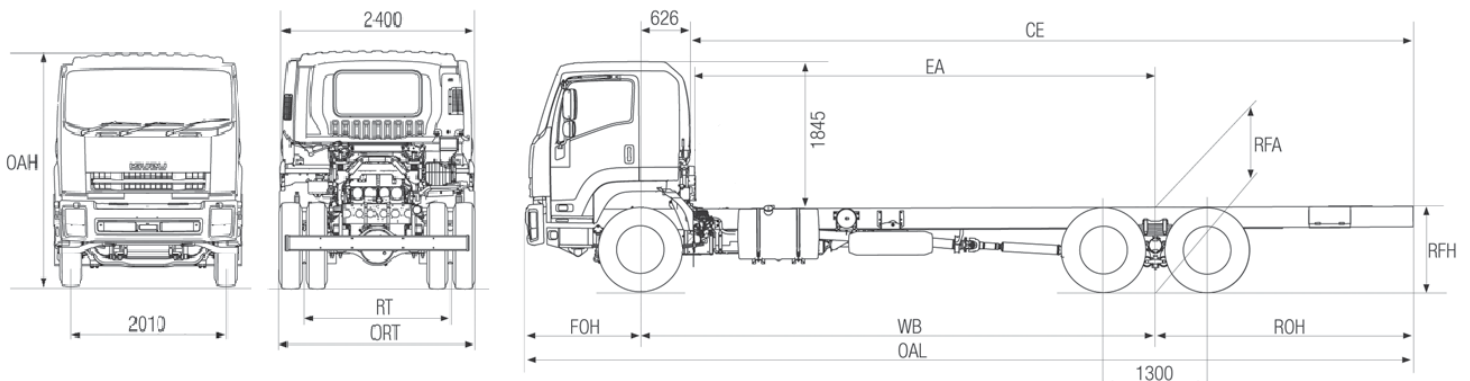
\* Vehicle ratings and front and rear mass limits are subject to regulatory requirements – Consult your dealer to select a specific vehicle to suit your requirements

\*\* Chassis cab as supplied from the factory including 10 litres of fuel

## DIMENSIONS (mm)

Model	WB	OAL	OAH *	FOH	ROH	EA	CE	RT	ORT	FW	RFH *	BOC	Kerb to Kerb (m)
FVY1400L/1350L	6470	11150	2810	1440	3200	5844	9084	1840	2445	850	965	75	22.6
FVY1400A/1350A	6470	11150	2810	1440	3200	5844	9084	1840	2445	850	965	75	22.6

\* Unladen condition, chassis cab only



## WARRANTY

**Full vehicle warranty:** 36 months or 200,000 kilometres whichever occurs first

All warranty is subject to terms and conditions as detailed in the Owner's Manual Service and Warranty Supplement

A policy of continuous improvement means that these specifications are subject to change without notice. Contact your Isuzu dealer or visit our website at [Isuzu.co.nz](http://Isuzu.co.nz) to confirm specifications. Images of vehicles are representative only and may differ slightly from the actual vehicle