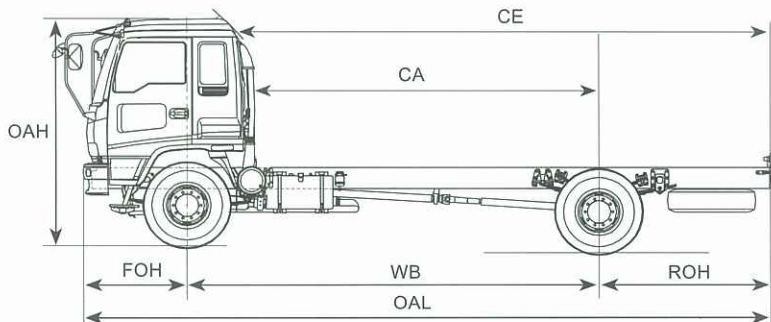
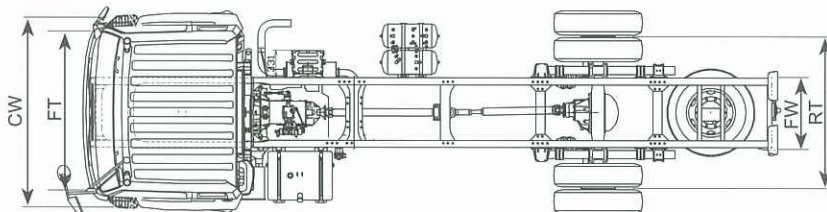
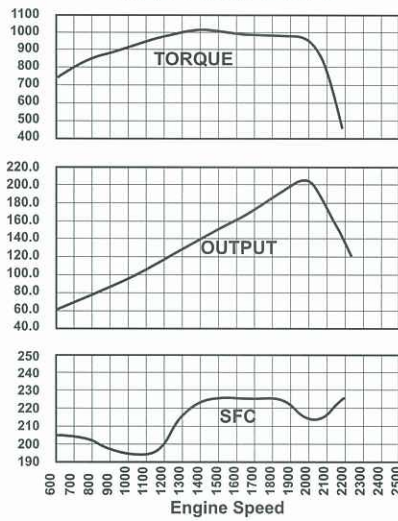




Sample photo only.
Actual vehicle may differ
slightly from that shown.

Performance Curve of
6SD1-TC EURO 3 Engine



MAIN SPECIFICATIONS

Model	FVR900
Code	FV24
Configuration	4 x 2
GVM	16,000kg
GCM	36,000kg
Towed Mass Unbraked	2,000kg
Gradeability at GVM	74.25%
Gradeability at GCM	26.86%
Estimated geared Speed	90km/h @ 1980 rpm
Turning circle kerb to kerb	19.5m

DRIVELINE SPECIFICATIONS

Engine Model	6SD1-TCC (EURO 3)
Type	Euro 3 - 6 cylinder in-line OHC common rail injection system turbo/intercooled, diesel
Displacement	9,839cc
Compression ratio	16.0 :1
Power (JIS Gross)	206kW (280PS) @ 2,000rpm
Torque (JIS Gross)	1,030Nm (760lb/ft) @ 1,400rpm
Transmission Model	RT7608LL
Forward Gears	10

KERB MASS

Front	3,062 kg
Rear	2,162 kg
Total	5,224 kg

*Estimate with coolant, oils, spare, tools & 10L of fuel.

DIMENSIONS (mm)

WB - Wheelbase	5,050
OAL - Overall length	8,500
CW - Cab width	2,400
OAH - Overall height	2,795
CA - Cab to rear axle	4,225
CE - Cab to rear of frame	6,425
FOH - Front overhang	1,250
ROH - Rear overhang	2,200
FT - Front track	2,025
RT - Rear track	1,885
FW - Frame width	850
Chassis height at rear axle	1,020

FVR900

Driveline Specifications

ENGINE - ISUZU 6SD1-TCC -EURO3

- Bore and stroke 120 mm and 145 mm

LUBRICATION

- Pressure feed lubrication with combination full flow and partial flow bypass filter.
- Sump capacity: 27 litres

COOLING SYSTEM

- Water cooled system thermostatically controlled with pressure vented radiator.
- V-Belt driven water pump with 600 mm diam. 6 bladed, viscous hub, clutch controlled fan.
- Coolant capacity: 29 litres

FUEL SYSTEM

- "Denso" common rail fuel injection.
- Fuel filter with water separator.
- Double paper element air cleaner vertical air intake
- Single steel 200 litre fuel tank

CLUTCH

- Hydraulic controlled, air assisted, dry, single plate.
- Ceramic clutch plate
- 381 mm diameter.

TRANSMISSION RT7608LL

- 10 Speed direct drive constant mesh with range change and PTO opening on LHS
- Gear ratios (:1)

Low Low	18.81
Low	12.31
1st	8.24
2nd	6.07
3rd	4.51
4th	3.32
5th	2.48
6th	1.83
7th	1.36
8th	1.0
Reverse	
Low Low	17.87
Low	11.69
High	3.52
- Oil capacity: 11 litres
- Reverse warning buzzer

EXHAUST

- Horizontal exhaust and muffler
- Exhaust brake air operated

FRONT AXLE - CAPACITY 6,300 KG

- Isuzu F063 reverse Elliot I-beam type.

REAR AXLE - CAPACITY 10,500 KG

- Isuzu R105 heavy duty fully floating banjo type with single speed reduction
- Drive ratio: 3.909:1
- Hypoid type ring gear 445 mm diameter
- Oil capacity: 14 litres

Warranty

Vehicle: 24 months/150,000km*
Powertrain: 36 months/200,000km*
Corrosion (Perforation): 36 months
*Which ever comes first. Subject to the terms and conditions detailed in the warranty book.

Chassis Specifications

FRONT SUSPENSION

- Alloy steel 1600 x 80 alloy steel taper leaf springs
- Stabiliser bar
- Hydraulic double acting, telescopic shock absorbers

REAR SUSPENSION

- Semi-elliptical 1420 x 80 alloy steel, multi-leaf springs.
- Fully wrapped eye with greasable shackle brackets

STEERING

- Re-circulating ball steering with integral power assistance.
- Gear ratio: 22.4 : 1
- Turns lock to lock: 4.8
- Gear driven vane type oil pump
- Oil capacity: 3.5 Litres
- Soft feel urethane steering wheel 480mm dia. 2 spoke
- Tilt/telescopic steering column adjustable for height and angle.

BRAKES

- Isuzu dual circuit, full air "S" cam
- Front - two leading shoes
Rear - dual two leading shoes
- Drum diam. front and rear: 419 mm
- Total lining area: 5,940 sq cm
- Total swept area: 8,688 sq cm
- Asbestos free lining
- Air operated exhaust brake
- Spring park brake acting on rear wheels
- Air dryer

CHASSIS FRAME

- Parallel rail, ladder type channel section with cold riveted crossmembers.
- Side member dimensions: 254 x 85 x 8 mm
- Width across frame 850 mm
- Material: SAPH440 weldable high tensile steel
- *Please refer to Isuzu body builders manual for chassis modifications and body fitment.*

WHEELS & TYRES

- One piece rim and pressed steel disc 8.25 x 22.5 with 165mm offset, 10 stud, 22mm bolt size.

Tyres

- 275/70R 22.5, radial tubeless single front and dual rear
- 7 tyres, including spare

ELECTRICAL SYSTEM

- 24 volt negative earth system
- Battery: 2 x 12 volt, 110 amp/hour mounted on chassis side member with protection cover
- Starter motor 24 volt, 4.5kW output
- Alternator: 24 volt, 40 amp with voltage regulator
- Rear stop and tail lamps and licence plate lamp with long leads for variable body mounting.

Cabin Specifications

CAB EXTERIOR

- Forward control, monocoque construction, standard, cab over engine with welded strengthening ribs and side door impact beams.
- Cab tiltable to 45 degrees with torsion bar assist
- Laminated curved and tinted windshield toughened rear and side glass
- Left hand door with large integrated kerb safety window.
- European style mirrors, left and right hand sides
- Front mud flaps
- Left hand ext mirror fold in switch
- Access to engine fluid check at rear of cab
- Access to washer/clutch fluids through lift up front panel of cab
- Cab finished in "Arc white" enamel paint.
- Cab semi float mounted at front and rear (silicone filled mount)
- Halogen head lights with manual leveling control
- Fog lights and corner lamps

CAB INTERIOR

- Fully trimmed interior with cloth seat facings, formed roof lining, trim colour grey
- Woodgrain dash panel
- Isringhausen 6500/517 air suspension drivers seat with auto weight adjustment to 130 kg
- High back reclining passengers seat, folding centre seat with storage.
- 12v accessory outlet
- Air conditioning manual control
- Cab exhaust vent upper rear cab
- Easy entry grab handles on "A" and "B" pillars
- AM/FM CD tuner with drivers seek switch.
- Covered overhead shelf (lockers)
- Interior light - multi lamp (fluorescent)
- Dual sun visors
- Ashtray both doors
- Drivers foot rest
- Power windows
- Lockable tool box and 15,000kg jack.
- Interior rear view mirror
- Seatbelts
- Cigarette lighter
- Central locking
- Keyless entry

INSTRUMENTS AND CONTROLS

- Gauges: Electronic speedometer with odometer, electronic tachometer, dual air pressure, fuel level, temperature, coolant
- Warning lamps: Battery charge, low air pressure, engine overrun, oil pressure, stop/tail light failure and indicator warning light failure
- Indicator lamps: turn signal, high beam, parking brake, reversing lamp and beeper.
- LH combination stalk switch for windscreen wipers and washer, exhaust brake, hazard flasher
- RH side combination stalk switch for headlamps, high beam, fog lamps and turn signals
- Engine idle fast adjust control
- Key operation for engine stop/start and external engine crank switch for when cab tilted
- LH ext. mirror fold in switch



Sample photo only. Actual vehicle may differ slightly from that shown.

A policy of continual improvement means that the specifications are subject to change without notice. Contact your Isuzu Dealer to confirm current specification.

CV0284 MAY07

F SERIES
www.isuzu.co.nz

ISUZU
TRUCKS YOU CAN RELY ON