

Model	FTS800
GCM (kg)	26,500
GVM (kg)	13,900
Max Power (kW)	191
Max Torque (Nm)	760
Wheelbase (mm)	4250
Suspension	Steel

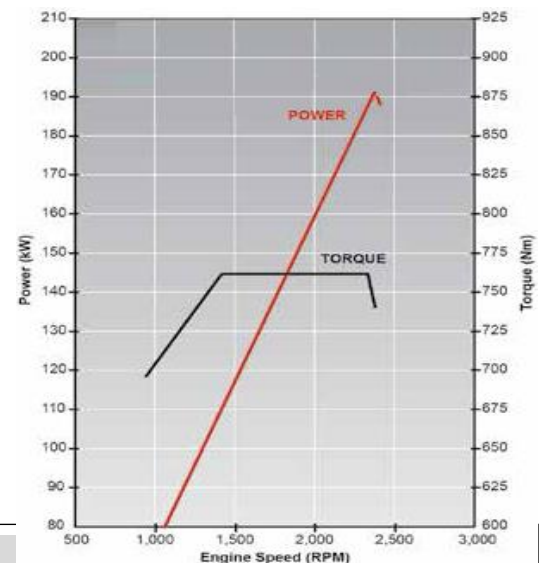


ENGINE

Engine Model:	6HK1-TCC
Type:	6 cyl 24 valve, SOHC
Displacement:	7,790cc
Compression Ratio:	17.5:1
Max Power (DIN Nett):	191 kW (260 HP) @2,400 RPM
Max Torque (DIN Nett):	760 Nm (560 lb.ft) @1,450 - 2400 RPM
Emission Control System:	Euro V with Diesel Oxidation Catalyst (DOC)
Fuel System:	Electronically controlled direct injection, high pressure common rail 200 litre fuel tank with lockable fuel cap
Air Intake System:	Electronically controlled variable nozzle turbo charger with air-to-air

PERFORMANCE

- **Maximum Towed Mass (braked):** 12,500kgs
- **1st Gear Gradeability @GVM:** 87%
- **Maximum Towed Mass (unbraked):** 2,000kgs
- **Est Engine RPM @90km/h :** 1940



TRANSMISSION

Manual:	MZW-6P 6 speed manual, synchromesh on 1 st to 6 th with air assisted shift
Clutch:	Air assisted hydraulic control, 381mm single plate clutch
PTO:	Opening left side of transmission case for fitment of Transmission PTO
Ratios (:1)	1 st 6.720, 2 nd 4.244, 3 rd 2.580, 4 th 1.540, 5 th 1.000, 6 th 0.763, Rev 6.823
Transfer Case:	Isuzu TF56 Full time 4WD with driver activated centre diff lock
Ratio:	High range: 1.00:1, Low range: 1.913:1

Front Axle:	Isuzu FDO47
Type :	Full floating banjo drive axle . Birfield outer joints and permanently engaged hubs.
Capacity:	4,700kgs
Rear Axle	Isuzu RO92
Type:	Full floating banjo drive axle.
Final Drive:	368mm diameter ring gear
Ratio:	5.875:1
Capacity:	9.200 kes

CHASSIS

Suspension

- (front)
- Single stage alloy steel taper leaf spring
- (back)
- Multi leaf main with helper

Steering

- Power assisted recirculating ball
- Gear Ratio 16:1 – 18:1
- Turns lock-to-lock 4.1

Chassis Frame

- Cold riveted ladder frame
- Rail dimensions (mm) 253 x85 x 7.5
- HT540A weldable steel
- Parallel side rails 850mm wide

Brakes

- Dual circuit air over hydraulic auto-adjusting front and rear drum brakes
- ABS - switchable for off-road use
- Hill Start Aid (HAS) standard
- Front drums 410mm x 115mm
- Rear drums 410mm x 140mm
- Spring park brake on rear wheels
- Air controlled exhaust brake
- Air dryer

Wheels and Tyres

- 11.00R22.5 tubeless tyres
- 22.5x7.5x165mm 8-stud steel wheel rims
- White painted wheel rims
- Frame mounted spare wheel with tyre

Electrical

- 24 volt negative earth system
- Alternator: 60 amp
- Alternator PTO model 90 amp
- Batteries - 2 x 115E41L 80Ah, 665CCA @ 18°C

CAB AND INTERIOR

CAB EXTERIOR

- All steel construction, high tensile steel on cab under-frame and side impact beam reinforcement
- Cab is fully compliant with ECE-R29 crash tests
- Manual cab tilt to 45° with torsion bar assistance
- Liquid filled cab mounts
- 90° opening internally reinforced doors
- Door mounted 19" heated power mirrors, flat glass on main and convex on spot mirrors
- Air dam steel front bumper with integral fog lamps
- Halogen multi-reflector headlamps with integral turn signals
- Additional door-mounted turn signal indicators with cornering lamps
- Roof-mounted outline marker lamps
- Combined brake/turn/reverse/marker lamps

CAB INTERIOR

- Driver's seat - ISRI 6870 air suspended seat for occupant mass up to 150kg, pneumatic lumbar support, height, rake, auto weight adjustment
- Front passenger adjustable bucket seat and front centre seat with folding backrest, console in backrest

CAB INTERIOR (continued)

- SRS including air bag on both outer seats
- Door and pillar entry assist grips both sides
- Lined interior, padded roof lining and vinyl floor covers
- Manual control integrated air conditioning
- Height/reach adjustable steering column, soft-feel Urethane steering wheel
- Central locking with keyless entry and engine immobiliser
- Door mounted storage pockets, LH and RH glove boxes, RH and LH overhead storage shelf
- Centre console with storage tray
- Fluorescent interior lamp
- Multi Media radio/CD/DVD/MP3/WMA Player with 6.2" Touch Screen, Bluetooth, voice dialling, text to speech, SD and USB inputs, on-board recordable memory – optional external cameras with up to 4-way screen, GPS navigation and many other options
- 5 DIN sized compartments for extra communications and storage

Instruments and Controls

- Speedometer with digital odometer and two trip meters
- Tachometer, engine coolant temperature, fuel level and dual brake air pressure gauges
- Two-speed wipers with intermittent wipe
- Key operated engine start, stop with steering lock
- High/Low range and centre diff lock
- ABS on/off switch
- HAS on/off and adjust switches
- Inter-axle lock switch
- **LH combination stalk:** windscreen wipers/wash exhaust brake
- **RH combination stalk:** Indicators, light switch, headlamp dip switch.
- **Warning lamps:** Check engine, oil pressure, ABS, SRS, alternator charge, service brake, park brake on, seat belt, low air pressure, water-in-fuel, low fuel level, cab lock.
- **Indicator lamps:** Warm up system, high beam, turn indicators, cruise control
- **Multi display:** shows service interval, instant and average fuel cons, voltmeter, hour meter, 40 – 120 kph adjustable speed warning, time/day/date

WEIGHTS (kgs)

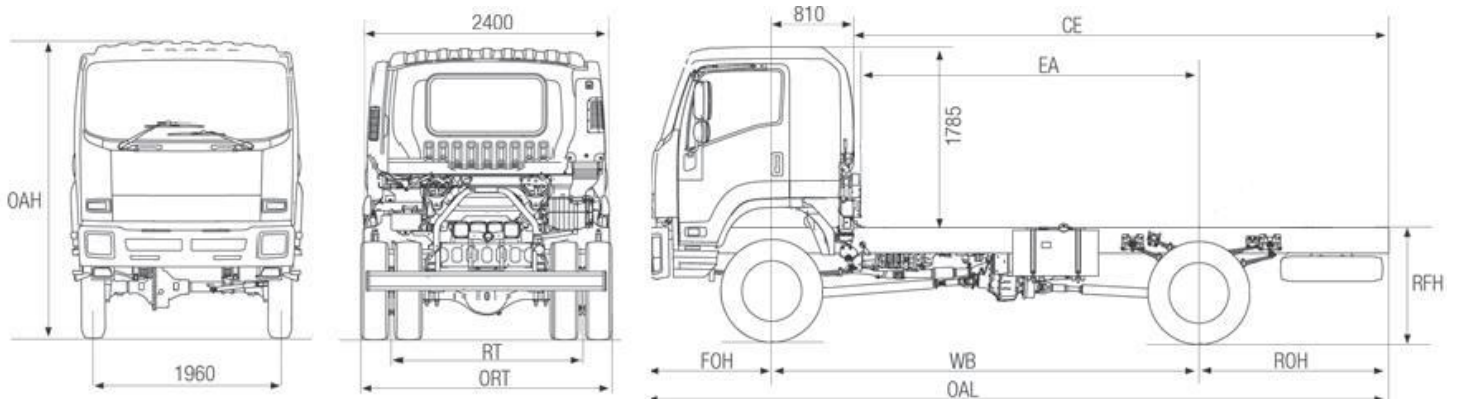
Model Code	MODEL	RATINGS *		LOADING LIMITS (at ground)*		CHASSIS CAB TARE MASS **		
		GVM	GCM ***	FRONT	REAR	FRONT	REAR	TOTAL
FT0716	FTS800	13,900	26,500	4700	9200	3030	2015	5045

* Vehicle ratings and front and rear mass limits are subject to regulatory requirements – Consult your dealer to select a specific vehicle to suit your requirements
 ** Chassis cab as supplied from the factory including 10 litres of fuel

DIMENSIONS (mm)

Model	WB	OAL	OAH *	FOH	ROH	EA	CE	RT	ORT	FW	RFH *	BOC	Kerb to Kerb (m)
ALL	4250	7405	3090	1255	1900	3439	5339	1795	2365	850	1185	90	17.5

* Unladen condition, chassis cab only



WARRANTY

Full vehicle warranty: 36 months or 150,000 kilometres whichever occurs first
 All warranty is subject to terms and conditions as detailed in the Owner's Manual Service and Warranty Supplement

A policy of continuous improvement means that these specifications are subject to change without notice. Contact your Isuzu dealer or visit our website at Isuzu.co.nz to confirm specifications. Images of vehicles are representative only and may differ slightly from the actual vehicle